

# mar/bett<sup>®</sup> Self-aligning bearings



**Rexnord**  
|||||

FlatTop Chain Group

October 2003

# Company profile

marbett®



Marbett started in 1968 as third parties plastic parts specialist making design, moulds and injection moulding.

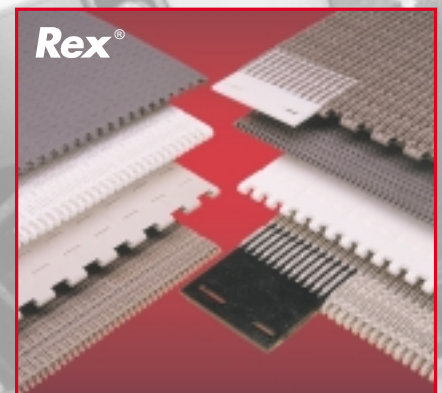
In few years we specialised in plastic components for the food and beverage industry, offering the first complete catalogue of conveyor components.

Now Marbett is part of the Rexnord group, inventor of TableTop® chains and world leader in chains and conveyor components for the food, beverage, packaging, and industrial automation, and takes advantage of the integration into this international structure with higher design, commercial and financial capabilities.

## PRODUCT RANGE

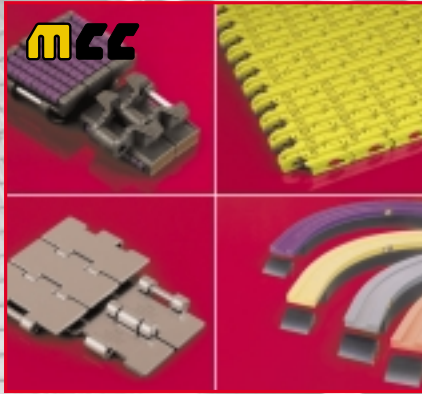


TableTop® Chains



MatTop® Modular chains





Chains and Components



Conveyor Components



Self-aligning bearings



Supporting and levelling elements



## Rexnord Marbett

COMPANY WITH QUALITY SYSTEM  
CERTIFIED BY DNV

UNI EN ISO 9001



# Qualità del prodotto



**Microban®**  
antibacterial protection



## Supporti con protezione antibatterica Microban®

### Efficace

Microban® è efficace contro i più comuni batteri che possono crescere negli alimenti e provocare contaminazione e cattivi odori come E.Coli 0157, Salmonella, Listeria, S-Aureus, Campilobatteri.

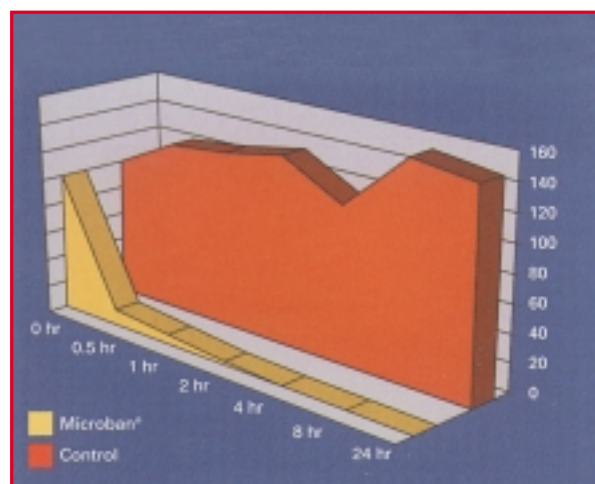
Questo non sostituisce le normali norme igieniche di pulizia, ma costituisce una protezione aggiuntiva all'interno del normale ciclo di pulizia degli impianti.

### Durevole

Test di laboratorio hanno provato che Microban® è efficace per tutto il ciclo di vita del prodotto.

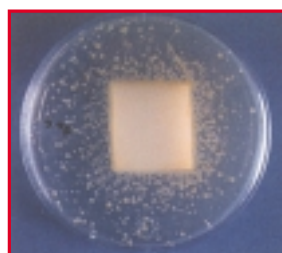
### Sicuro

Microban® è stato approvato per l'utilizzo a contatto diretto con gli alimenti dal Comitato Scientifico per gli Alimenti dell'Unione Europea (SCF). Negli Stati Uniti l'Agenzia per la Protezione dell'Ambiente (EPA) ne ha approvato l'utilizzo nelle catene di trasporto.

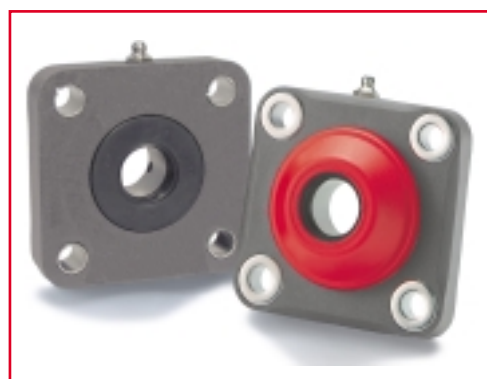
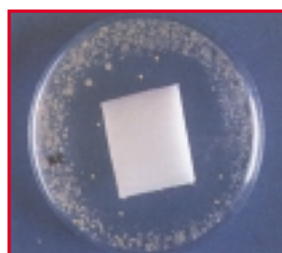


◀ Batteri E.Coli 0157 in un provino plastico utilizzando Microban® comparato con uno in plastica comune.

Con Microban® assenza di batteri sopra ▼ ed attorno al prodotto.



◀ Senza Microban® crescita di batteri sopra ed attorno al prodotto.



## Supporti con Flangia Solid

I supporti a flangia quadra e ovale, sono anche disponibili nella versione con la struttura della flangia a superficie chiusa, garantendo la massima sanificazione.



# novità & ampliamento gamma NOVITÀ

UCFB/C - HCFB/C



26

UCFLS/C - HCFLS/C



18

UCT/C - HCT/C



30

UCFB - HCFB



28

UCT - HCT



32

UCF/C - HCF/C



6

◀ Versione Ø 35\*  
(con interassi di  
fissaggio del tipo  
Ø 30) • Versioni con  
Flangia Solid • Versioni  
con fissaggio a collare  
eccentrico.

UCF - HCF



8

▲ Versioni con fissaggio a collare  
eccentrico • Versioni con cuscinetto  
YAT • Versioni con Microban.®

Versioni con fissaggio a  
collare eccentrico ▼

HCP/C



22

UCP - HCP



24

HCFS/C



10

◀ Versioni  
con fissaggio  
a collare  
eccentrico.

# AMPLIAMENTO GAMMA

UCFL/C - HCFL/C



14

◀ Versioni con fissaggio a  
collare eccentrico • Versio-  
ni con Flangia Solid.

UCFL - HCFL



16

▲ Versioni con fissaggio a collare  
eccentrico • Versioni con cuscinetto  
YAT • Versioni con Microban.®

◀ Versioni con fissaggio a collare  
eccentrico • Versioni con cuscinetto  
YAT • Versioni con Microban.®

# Contents & Product range

UCF/C-HCF/C



6

UCF - HCF



8

UCFS/C-HCFS/C



10

F



12

UCFL/C-HCFL/C



14

UCFL - HCFL



16

UCFLS/C-HCFLS/C



18

FL



20

UCP/C-HCP/C



22

UCP - HCP



24

Square flange bearing units

Square flange bearing units

Oval flange bearing units

Oval flange bearing units

Pillow Block type bearing units

# Contents & Product range

Side flange bearing units

Take-up bearing units

Round flange bearing units

Round flange bearing units

Technical information

UCFB/C-HCFB/C



26

UCFB-HCFB



28

UCT/C-HCT/C



30

UCT-HCT



32

UCFC/C



34

UCFC



36

FC



38

SBF



40

	Page
Bearings	44
Calculation data	46
Shaft tolerances	49
Lubrication	50
Mounting	51
Resistance against chemical agents	52

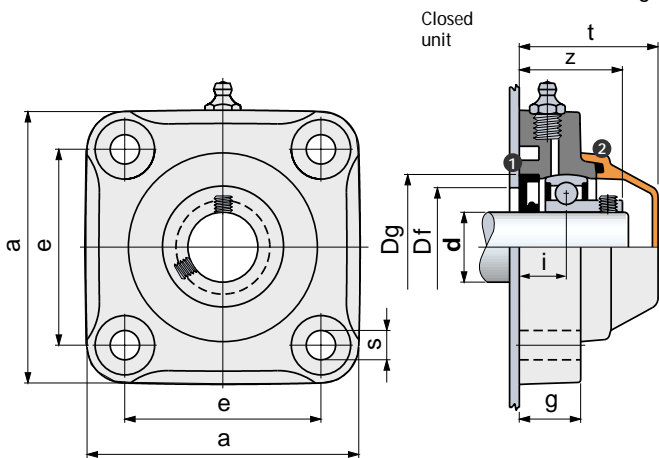




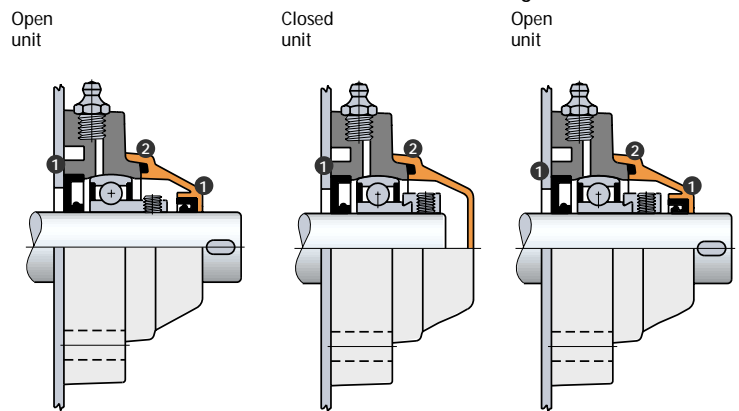
- Waterproof housing
- Grub screws or eccentric collar shaft locking
- PA FV polyamide housing  
High mechanical and heat resistance. Proof to dust, humidity, washouts, steam, average aggressive chemical agents.
- PP FV polypropylene housing  
Proof to highly aggressive chemical agents. Inferior loading ability.
- Solid flange bearings  
They differ from standard flange versions for their closed surface structure, ideal for sanitation.
- Supports with Microban® antibacterial protection  
Microban® material is effective against the most common bacteria that may grow in foodstuff like E. Coli, Salmonella, Listeria, S-Aureus, Campylobacter.



### Series UCF/C Grub screws shaft locking



### Series HCF/C Eccentric collar shaft locking



- ① Seal.
- ② O-Ring.

### Housing material

Ø d mm	Series	Housing material					Dimensions in mm										Bore in frame <sup>2)</sup>		Weight Kg
		Polyamide PA FV Standard Flange (black) Cover (orange)	Polyamide PA FV Solid Flange (black) Cover (orange)	Polyamide PA FV with Microban® Solid Flange (grey) Cover (red)	Polypropylene PP FV 1) Standard Flange (black) Cover (orange)	Polypropylene PP FV with Microban® Solid Flange (white) Cover (red)	e	a	s	g	i	z	t	Dg	max.	min.	Bearing		
<b>Grub screws shaft locking • Closed unit</b>																			
25	UCF 205 C	64573	680492	651172	680752	680932	70	98	11	22,5	16,8	36,3	49,5	52	50	45	45	YAT 205	0,40
30	UCF 206 C	63112	680502	651182	680762	680942	83	110	11	26	20	41	55	62	60	50	50	YAT 206	0,56
35	UCF 207 C	64018	680512	651192	680772	680952	92	120	11	26	19,5	45	59	72	70	55	55	YAT 207	0,72
35*	SUCF 207 C	—	680522	668982	—	680962	83	110	11	26	19	43	61	72	70	55	55	YAT 207	0,67
40	UCF 208 C	68916	680532	651202	680782	680972	102	131	11	30	22	47,3	65,5	80	78	65	65	YAT 208	0,95
40*	SUCF 208 C	61819	680542	651212	680792	680982	83	110	11	26	19	48	66	80	78	65	65	YAT 208	0,88
<b>Grub screws shaft locking • Open unit</b>																			
25	UCF 205 C	64623	680552	651272	680802	680992	70	98	11	22,5	16,8	36,3	49,5	52	50	45	45	YAT 205	0,40
30	UCF 206 C	63172	680562	651282	680812	681002	83	110	11	26	20	41	55	62	60	50	50	YAT 206	0,56
35	UCF 207 C	64028	680572	651292	680822	681012	92	120	11	26	19,5	45	59	72	70	55	55	YAT 207	0,72
35*	SUCF 207 C	—	680582	668992	—	681022	83	110	11	26	19	43	61	72	70	55	55	YAT 207	0,67
40	UCF 208 C	68926	680592	651302	680832	681032	102	131	11	30	22	47,3	65,5	80	78	65	65	YAT 208	0,95
40*	SUCF 208 C	61829	680602	651312	680842	681042	83	110	11	26	19	48	66	80	78	65	65	YAT 208	0,88
<b>Eccentric collar shaft locking • Closed unit</b>																			
25	HCF 205 C	680452	680612	680712	680852	681052	70	98	11	22,5	16,8	40,3	49,5	52	50	45	45	YET 205	0,44
30	HCF 206 C	621501	680622	651372	680862	681062	83	110	11	26	20	46,7	55	62	60	50	50	YET 206	0,63
35	HCF 207 C	680462	680632	680722	680872	681072	92	120	11	26	19,5	48,9	59	72	70	55	55	YET 207	0,90
35*	SHCF 207 C	—	680642	669022	—	681082	83	110	11	26	19	48,4	61	72	70	55	55	YET 207	0,85
40*	SHCF 208 C	62439	680652	651382	680882	681092	83	110	11	26	19	51,7	66	80	78	65	65	YET 208	1,07
<b>Eccentric collar shaft locking • Open unit</b>																			
25	HCF 205 C	680472	680662	680732	680892	681102	70	98	11	22,5	16,8	40,3	49,5	52	50	45	45	YET 205	0,44
30	HCF 206 C	621481	680672	651412	680902	681112	83	110	11	26	20	46,7	55	62	60	50	50	YET 206	0,63
35	HCF 207 C	680482	680682	680742	680912	681122	92	120	11	26	19,5	48,9	59	72	70	55	55	YET 207	0,90
35*	SHCF 207 C	—	680692	669032	—	681132	83	110	11	26	19	48,4	61	72	70	55	55	YET 207	0,85
40*	SHCF 208 C	62449	680702	651422	680922	681142	83	110	11	26	19	51,7	66	80	78	65	65	YET 208	1,07

\* = Special version. The distances between fixing holes (e = 83 mm) are the same as for type d 30 mm.

1) = Available upon request and minimum order quantity.

2) = Dimensions Df max / Df min must be respected to ensure positive retention of the seals and to allow air bleeding during lubrication.

Packaging : 6 pieces.



Material

PA FV polyamide housing

Housing in reinforced polyamide PA FV resin (black) • Protection cover in polypropylene PP (orange) • Seal and O-Ring in NBR rubber (black) • Ball type nickel plated brass greasing nipple • Reinforcing bushings on mounting holes and washers in stainless steel AISI 304

PA FV polyamide housing with Microban®

Housing in reinforced polyamide PA FV resin (grey) with Microban® • Protection cover in polypropylene PP (red) with Microban® • Seal and O-Ring in NBR rubber (black) • Ball type nickel plated brass greasing nipple • Reinforcing bushings on mounting holes and washers in stainless steel AISI 304

PP FV polypropylene housing

Housing in reinforced polypropylene PP FV resin (black) • Protection cover in polypropylene PP (orange) • Seal and O-Ring in NBR rubber (black). On request supplied in Viton rubber (brown). Viton material offers high resistance to chemical agents • Ball type stainless steel AISI 316 greasing nipple • Reinforcing bushings on mounting holes and washers in stainless steel AISI 316.

PP FV polypropylene housing with Microban®

Housing in reinforced polypropylene PP FV resin (white) with Microban® • Protection cover in polypropylene PP (red) with Microban® • Seal and O-Ring in NBR rubber (black). On request supplied in Viton rubber (brown). Viton material offers high resistance to chemical agents • Ball type stainless steel AISI 316 greasing nipple • Reinforcing bushings on mounting holes and washers in stainless steel AISI 316.

Continuous operating temperature

in air : - 20 to + 60°C.

Maximum allowed misalignment: 2°

Bearing



Series YAT (grub screws shaft locking) • Series YET (eccentric collar shaft locking) • Chrome alloy steel • Superagriseal unit • Prelubricated with lithium / calcium grease • Can be relubricated

Loads

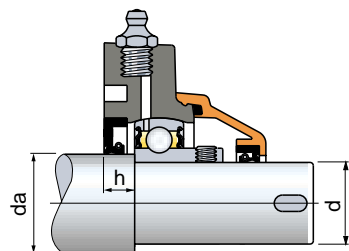
Shaft dia. d mm	Bearing load			Bearing unit max. static load			
	Load coefficient		Max. 1) axial load N	PA FV		PP FV	
	dyn. 1) C N	stat. Co N		PA FV N	PP FV N	PA FV N	PP FV N
25	14000	7800	2800	19550	13800	20700	11500
30	19500	11200	3900	19550	13800	20700	11500
35	25500	15300	5100	20700	13800	25300	13800
35*	25500	15300	5100	19550	13800	20700	11500
40	30700	19000	6140	20700	14375	25300	13800
40*	30700	19000	6140	19550	13800	20700	11500

\* = Special version.

1) = Values are valid for applications with ≤ h 6 shaft tolerance. Time 0.77 values must be considered in all other cases.

Shaft shoulders locking

Supplied upon request.



Shaft dia. da mm	Bearing dia. d mm	h mm
30	25	9,1
35	30	10,8
40	35	9,8
40*	35*	9,3
45	40	11,3
45*	40*	8,3

\* = Special version.

Quick coupler for remote lubrication (accessory)



Code : 67843.

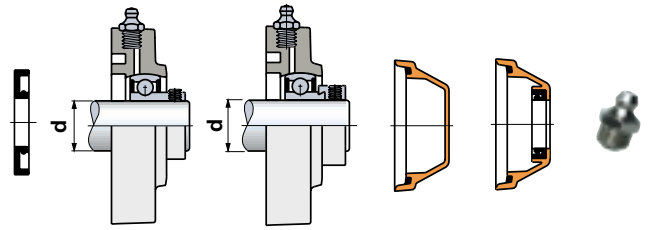
The system foresees semirigid Ø 4 mm tubes made out of Rilsan/Nylon. The tubes are connected to the joints by means of rapid graft.

Material nickel plated brass.

Dimension : 1/8 Gas.

Components and Spare parts

Seal	Base unit with grub screws shaft locking	Base unit with eccentric collar shaft locking	Closed cover supplied with seal	Open Cover supplied with seals	Ball type grease nipple
------	--	---	---------------------------------	--------------------------------	-------------------------



Housing material

Ø d mm	Polyamide PA FV Standard Flange (black) Cover (orange)	Polyamide PA FV Solid Flange (black) Cover (orange)	Polyamide PA FV with Microban® Solid Flange (grey) Cover (red)	Polypropylene PP FV Standard Flange (black) Cover (orange)	Polypropylene PP FV with Microban® Solid Flange (white) Cover (red)
	Code				

Seal	608941	608941	608941	608941	608941
25	608941	608941	608941	608941	608941
30	68416	68416	68416	68416	68416
35	641111	641111	641111	641111	641111
35*	—	641111	641111	—	641111
40	632141	632141	632141	632141	632141
40*	603622	603622	603622	603622	603622

Base unit with grub screws shaft locking	656752	681152	666612	681232	681282
25	656752	681152	666612	681232	681282
30	666442	681162	666622	681242	681292
35	666452	681172	666632	681252	681302
35*	—	681182	681212	—	681312
40	666462	681192	666642	681262	681322
40*	656902	681202	681222	681272	681332

Base unit with eccentric collar shaft locking	681342	681362	681412	681462	681502
25	681342	681362	681412	681462	681502
30	62329	681372	681422	681472	681512
35	681352	681382	681432	681482	681522
35*	—	681392	681442	—	681532
40*	62349	681402	681452	681492	681542

Closed cover supplied with seals	681952	681952	681992	681952	681992
25	681952	681952	681992	681952	681992
30	63154	63154	653322	63154	653322
35	682022	682022	682042	682022	682042
35*	—	63539	653342	—	653342
40	63539	63539	653342	63539	653342
40*	600882	600882	653352	600882	653352

Open cover supplied with seals	681972	681972	682012	681972	682012
25	681972	681972	682012	681972	682012
30	69965	69965	653442	69965	653442
35	682032	682032	682052	682032	682052
35*	—	615692	669202	—	669202
40	63549	63549	653462	63549	653462
40*	600892	600892	653472	600892	653472

Ball type grease nipple	64437	64437	64437	63617	63617
	64437	64437	64437	63617	63617

\* = Special version.



Accessories



- Grub screws or eccentric collar shaft locking
- Version with bearing YAR 2F  
The double ring guarantees maximum protection against dust and non-corrosive substances.
- Version with stainless steel bearing YAR 2RF  
AISI 420 stainless steel bearing with 2 rubberised rings, provides excellent seal against humidity, steams, liquids, medium corrosive chemical agents. Maximum load ability is inferior.
- Version with bearing YAT  
The rubberised ring guarantees maximum protection against dusts.
- Supports with Microban® antibacterial protection  
Microban® material is effective against the most common bacteria that may grow in foodstuff like E. Coli, Salmonella, Listeria, S-Aureus, Campylobacter.
- Material  
Polyamide PA FV guarantees maximum strength and high-temperature resistance.  
Polypropylene PP FV offers excellent resistance to chemical agents but inferior load ability.

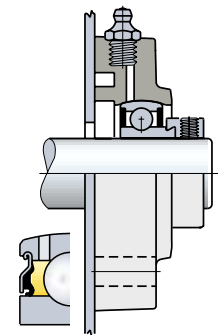
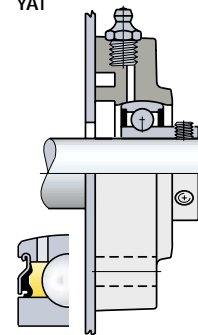
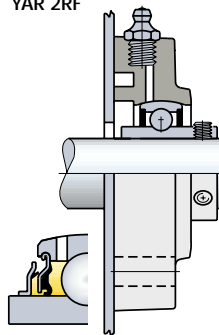
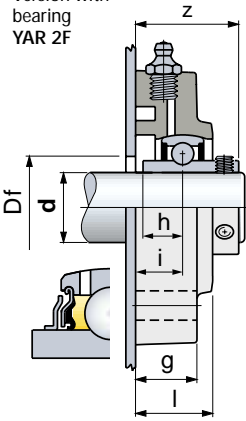
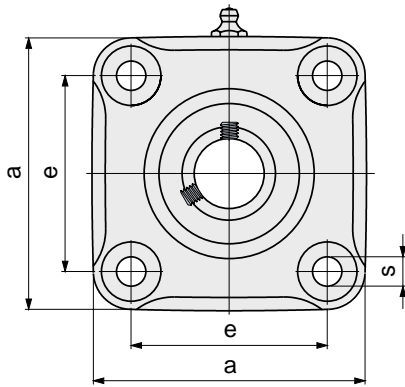
### Series UCF Grub screws shaft locking

Version with bearing YAR 2F

Version with stainless steel bearing YAR 2RF

Version with bearing YAT

### Series HCF Eccentric collar shaft locking



#### Housing material

Polyamide PA FV Standard Flange (black)	Polyamide PA FV with Microban® Solid Flange 1) (grey)	Polypropylene PP FV with Microban® Solid Flange 1) (white)
Code		

Ø d mm	Series	Housing material			Dimensions in mm							Bore in frame Df mm	Bearing	Weight Kg	
		Polyamide PA FV Standard Flange (black)	Polyamide PA FV with Microban® Solid Flange 1) (grey)	Polypropylene PP FV with Microban® Solid Flange 1) (white)	e	a	s	g	i	h	l				z
<b>Grub screws shaft locking • Version with bearing YAR 2F</b>															
25	UCF 205	64533	—	—	70	98	11	22,5	16,8	14,3	27,5	36,5	29	YAR 205 2F	0,44
30	UCF 206	60722	—	—	83	110	11	26	20	15,9	31,5	42,2	34	YAR 206 2F	0,57
35	UCF 207	64058	—	—	92	120	11	26	19,5	17,5	32	45	39	YAR 207 2F	0,72
35*	SUCF 207	68465	—	—	83	110	11	26	15,5	17,5	31,5	40,9	50	YAR 207 2F	0,65
40	UCF 208	68956	—	—	102	131	11	30	22	19	36	52,2	44	YAR 208 2F	0,95
40*	SUCF 208	61719	—	—	83	110	11	26	19	19	36	52,2	55	YAR 208 2F	0,88
<b>Grub screws shaft locking • Version with stainless steel bearing YAR 2RF</b>															
25	UCF 205	64652	681582	681642	70	98	11	22,5	16,8	14,3	27,5	36,5	29	YAR 205 2RF	0,44
30	UCF 206	646602	681592	681652	83	110	11	26	20	15,9	31,5	42,2	34	YAR 206 2RF	0,57
35	UCF 207	646612	681602	681662	92	120	11	26	19,5	17,5	32	45	39	YAR 207 2RF	0,72
35*	SUCF 207	646622	681612	681672	83	110	11	26	15,5	17,5	31,5	40,9	50	YAR 207 2RF	0,65
40	UCF 208	646632	681622	681682	102	131	11	30	22	19	36	52,2	44	YAR 208 2RF	0,95
40*	SUCF 208	646642	681632	681692	83	110	11	26	19	19	36	52,2	55	YAR 208 2RF	0,88
<b>Grub screws shaft locking • Version with bearing YAT</b>															
25	UCF 205	656752	—	—	70	98	11	22,5	16,8	—	27,5	36,3	29	YAT 205	0,39
30	UCF 206	666442	—	—	83	110	11	26	20	—	31,5	41	34	YAT 206	0,54
35	UCF 207	666452	—	—	92	120	11	26	19,5	—	32	42,8	39	YAT 207	0,69
35*	SUCF 207	682062	—	—	83	110	11	26	15,5	—	31,5	38,8	39	YAT 207	0,62
40	UCF 208	666462	—	—	102	131	11	30	22	—	36	47,3	44	YAT 208	0,92
40*	SUCF 208	681552	—	—	83	110	11	26	19	—	36	44,3	44	YAT 208	0,85
<b>Eccentric collar shaft locking</b>															
25	HCF 205	681562	—	—	70	98	11	22,5	16,8	—	27,5	40,3	29	YET 205	0,43
30	HCF 206	62329	—	—	83	110	11	26	20	—	31,5	46,7	34	YET 206	0,61
35	HCF 207	681572	—	—	92	120	11	26	19,5	—	32	48,9	39	YET 207	0,87
40*	SHCF 208	62349	—	—	83	110	11	26	19	—	36	51,7	44	YET 208	1,04

\* = Special version. The distances between fixing holes (e = 83 mm) are the same as for type d 30 mm.

1) = Closed surface flange structure.

Packaging : 6 pieces.



Material

PA FV polyamide housing

Housing in reinforced polyamide PA FV resin (black) • Ball type nickel plated brass greasing nipple • Reinforcing bushings on mounting holes and washers in stainless steel AISI 304.

PA FV polyamide housing with Microban®

Housing in reinforced polyamide PA FV resin (grey) with Microban® • Bearing in stainless steel AISI 420 • Ball type nickel plated brass greasing nipple • Reinforcing bushings on mounting holes and washers in stainless steel AISI 304.

PP FV polypropylene housing with Microban®

Housing in reinforced polypropylene PP FV resin (white) with Microban® • Bearing in stainless steel AISI 420 • Ball type stainless steel AISI 316 greasing nipple • Reinforcing bushings on mounting holes and washers in stainless steel AISI 316.

Continuous operating temperature

in air : - 20 to + 60°C.

Maximum allowed misalignment: 2°

Bearing

Series YAR 2F (grub screws shaft locking, chrome alloy steel, Superagriseal unit plus centrifuging ring) • Series YAR 2RF (grub screws shaft locking, stainless steel AISI 420, Superagriseal unit plus rubberised centrifuging ring) • Series YAT (grub screws shaft locking, chrome alloy steel, Superagriseal unit) • Series YET (eccentric collar shaft locking, chrome alloy steel, Superagriseal unit) • Prelubricated with lithium / calcium grease • Can be relubricated

Loads

Shaft dia. d mm	Bearing load YAR 2F - YAT - YET			Bearing load YAR 2RF			Bearing unit max. static load	
	Load coefficient		Max. 1) axial load N	Load coefficient		Max. 1) axial load N	PA FV N	PA FV N
	dyn. 1) C	stat. Co N		dyn. 1) C	stat. Co N			
25	14000	7800	2800	11900	7800	2380	19550	20700
30	19500	11200	3900	16250	11200	3250	19550	20700
35	25500	15300	5100	21600	15300	4320	20700	25300
35*	25500	15300	5100	21600	15300	4320	19550	20700
40	30700	19000	6140	26000	19000	5200	20700	25300
40*	30700	19000	6140	26000	19000	5200	19550	20700

\* = Special version.

1) = Values are valid for applications with ≤ h 6 shaft tolerance. Time 0.77 values must be considered in all other cases.

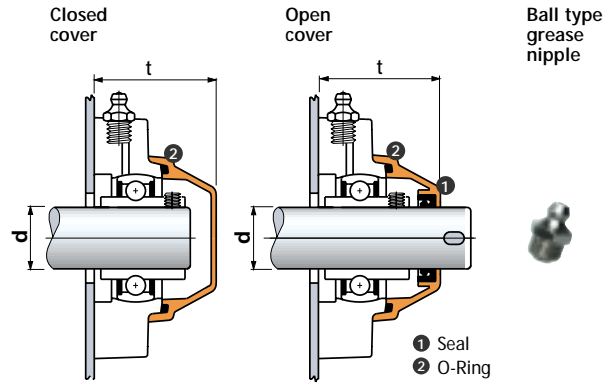
Quick coupler for remote lubrication (accessory)



Code : 67843.

The system foresees semirigid Ø 4 mm tubes made out of Rilsan/Nylon. The tubes are connected to the joints by means of rapid graft. Material nickel plated brass. Dimension : 1/8 Gas.

Protection cover (accessory) and Spare parts



Ø d mm	Housing material			t mm
	Polyamide PA FV Cover (orange)	Polyamide PA FV with Microban® Cover (red)	Polypropylene PP FV with Microban® Cover (red)	
<b>Closed cover supplied with seals</b>				
25	681952	681992	681992	49,5
30	63154	653322	653322	55
35	682022	682042	682042	59
35*	63154	653342	653342	61
40	63539	653342	653342	65,5
40*	600882	653352	653352	66
<b>Open cover supplied with seals</b>				
25	681972	682012	682012	49,5
30	69965	653442	653442	55
35	682032	682052	682052	59
35*	—	669202	669202	61
40	63549	653462	653462	65,5
40*	600892	653472	653472	66
<b>Ball type grease nipple</b>				
	64437	64437	63617	

\* = Special version.

PA FV polyamide housing

Protection cover in polypropylene PP (orange) • Seal and O-Ring in NBR rubber (black).

PA FV polyamide housing with Microban®

Protection cover in polypropylene PP (red) with Microban® • Seal and O-Ring in NBR rubber (black).

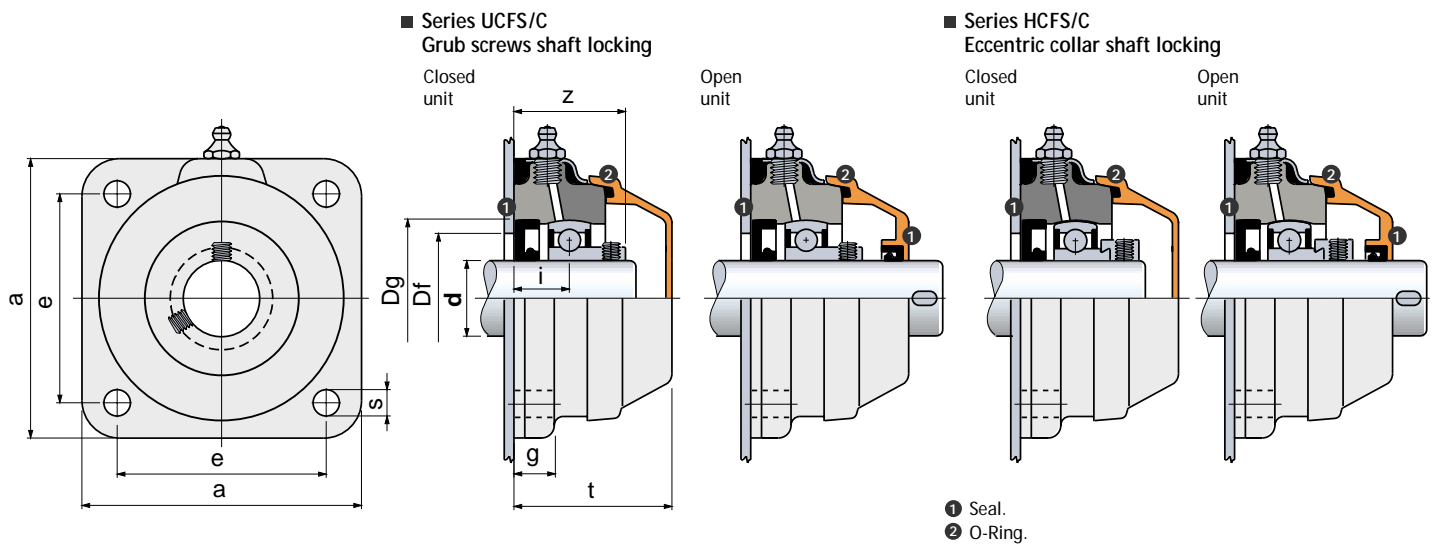
PP FV polypropylene housing with Microban®

Protection cover in polypropylene PP (red) with Microban® • Seal and O-Ring in NBR rubber (black).



PATENT PENDING

- Stainless steel AISI 304 surface
- Waterproof housing
- Grub screws or eccentric collar shaft locking
- Solid flange  
Patent pending design with perfect seal: rubber makes one-body with steel and engineering plastic bearing seat.



Housing material

Polyamide  
PA FV  
with stainless  
steel surface  
Solid Flange  
Cover  
(orange)

Ø d mm	Serie	Code	Dimensions in mm							Bore in frame <sup>1)</sup> Df			Weight Kg	
			e	a	s	g	i	z	t	Dg	max.	min.		Bearing
<b>Grub screws shaft locking • Closed unit</b>														
30	UCFS 206 C	615622	83	111	10,5	15,9	22	43	65,8	62	60	50	YAT 206	0,73
35*	SUCFS 207 C	615632	83	111	10,5	15,9	22	45,3	65,8	72	70	55	YAT 207	0,84
40*	SUCFS 208 C	615642	83	111	10,5	15,9	22	47,3	65,8	80	78	65	YAT 208	0,94
<b>Grub screws shaft locking • Open unit</b>														
30	UCFS 206 C	615652	83	111	10,5	15,9	22	43	65,8	62	60	50	YAT 206	0,73
35*	SUCFS 207 C	615662	83	111	10,5	15,9	22	45,3	65,8	72	70	55	YAT 207	0,84
40*	SUCFS 208 C	615672	83	111	10,5	15,9	22	47,3	65,8	80	78	65	YAT 208	0,94
<b>Eccentric collar shaft locking • Closed unit</b>														
30	HCFS 206 C	670402	83	111	10,5	15,9	22	49	65,8	62	60	50	YET 206	0,80
35*	SHCFS 207 C	670412	83	111	10,5	15,9	22	51	65,8	72	70	55	YET 207	0,90
40*	SHCFS 208 C	670422	83	111	10,5	15,9	22	55	65,8	80	78	65	YET 208	1,00
<b>Eccentric collar shaft locking • Open unit</b>														
30	HCFS 206 C	670432	83	111	10,5	15,9	22	49	65,8	62	60	50	YET 206	0,80
35*	SHCFS 207 C	670442	83	111	10,5	15,9	22	51	65,8	72	70	55	YET 207	0,90
40*	SHCFS 208 C	670452	83	111	10,5	15,9	22	55	65,8	80	78	65	YET 208	1,00

\* = Special version. The distances between fixing holes (e = 83 mm) are the same as for type d 30 mm.

1) = Dimensions Df max / Df min must be respected to ensure positive retention of the seals and to allow air bleeding during lubrication.

Packaging : 6 pieces.



■ Material

Housing in reinforced polyamide PA FV resin (black) • Stainless steel AISI 304 surface • Protection cover in polypropylene PP (orange) • Seal and O-Ring in NBR rubber (black) • Ball type nickel plated brass greasing nipple.

■ Continuous operating temperature

in air : - 20 to + 60°C.

■ Maximum allowed misalignment: 2°

■ Bearing



Series YAT (grub screws shaft locking) • Series YET (eccentric collar shaft locking) • Chrome alloy steel • Superagriseal unit • Prelubricated with lithium / calcium grease • Can be relubricated

■ Loads

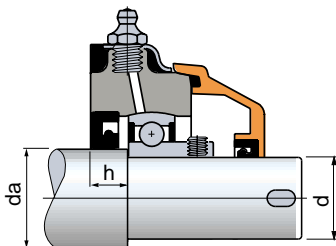
Shaft dia. d mm	Bearing load			Bearing unit max. static load	
	Load coefficient dyn. 1) C N	stat. Co N	Max. axial load 1) N	PA FV N	PA FV N
30	19500	11200	3900	20700	25300
35*	25500	15300	5100	20700	25300
40*	30700	19000	6140	20700	25300

\* = Special version.

1) = Values are valid for applications with ≤ h 6 shaft tolerance. Time 0.77 values must be considered in all other cases.

■ Shaft shoulders locking

Supplied upon request.



Shaft dia. da mm	Bearing dia. d mm	h mm
35	30	12,8
40*	35*	12,3
45*	40*	11,3

\* = Special version.

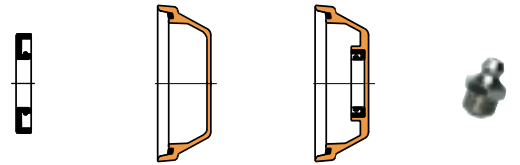
■ Quick coupler for remote lubrication (accessory)



Code : 67843.

The system foresees semirigid Ø 4 mm tubes made out of Rilsan/Nylon. The tubes are connected to the joints by means of rapid graft. Material nickel plated brass. Dimension : 1/8 Gas.

■ Spare parts

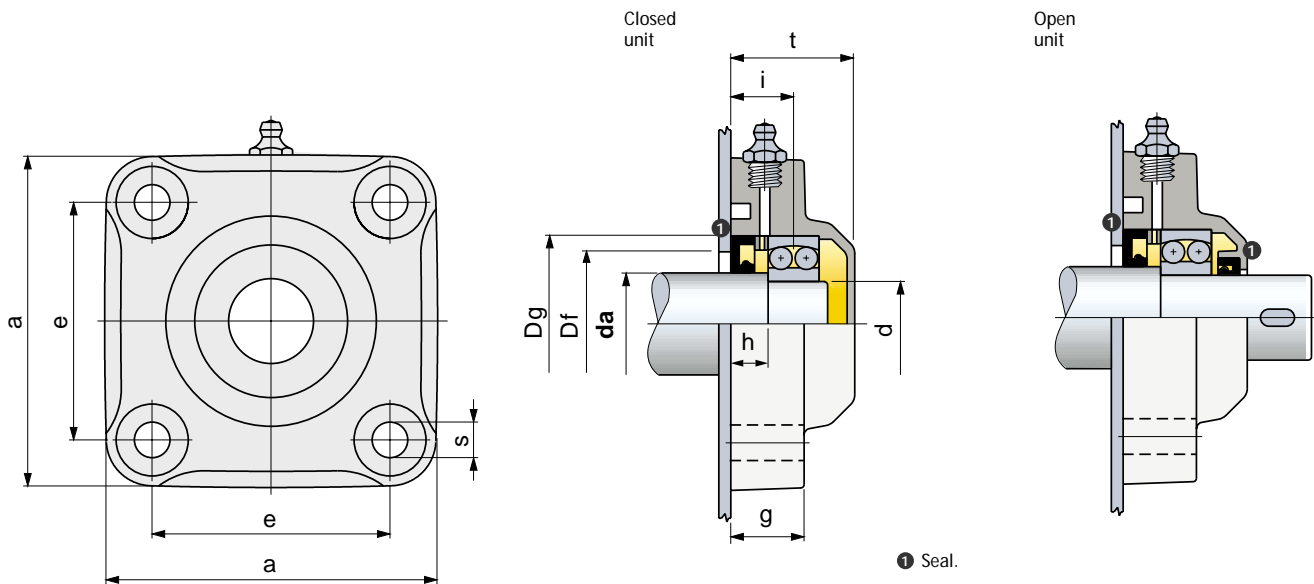


Shaft dia. d mm	Seal	Closed cover supplied with seal	Open Cover supplied with seals	Ball type grease nipple
	Code			
30	68416	63539	615682	
35*	641111	63539	615692	64437
40*	632141	63539	63549	

\* = Special version.



- **Waterproof housing**
- **Shaft shoulders locking**  
High axial load capacity.
- **PA FV polyamide housing**  
High mechanical and heat resistance. Proof to dust, humidity, washouts, steam, average aggressive chemical agents
- **PP FV polypropylene housing**  
Proof to highly aggressive chemical agents. Inferior loading ability.



Shaft dia. da mm	Bearing dia. d mm	Series	Housing material		Dimensions in mm										Bore in frame <sup>2)</sup> Df		Weight Kg
			Polyamide PA FV Standard Flange (black)	Polypropylene PP FV 1) Standard Flange (black)	e	a	s	g	i	h	t	Dg	max.	min.	Bearing		
			Code														
<b>Closed unit</b>																	
30	25	F 1205	<b>64433</b>	<b>681702</b>	70	98	11	22,5	18,5	11	36,5	52	50	47	1205	0,36	
35	30	F 1206	<b>65811</b>	<b>681712</b>	83	110	11	26	19	11	40	62	60	52	1206	0,53	
40	35	F 1207	<b>63978</b>	<b>681722</b>	92	120	11	26	19,5	11	39,5	72	70	60	1207	0,62	
45	40	F 1208	<b>68876</b>	<b>681732</b>	102	131	11	30	24,5	15,5	45	80	78	65	1208	0,85	
45*	40*	SF 1208	<b>69988</b>	<b>681742</b>	83	110	11	26	19	10	39	80	78	65	1208	0,78	
<b>Open unit</b>																	
30	25	F 1205	<b>64483</b>	<b>681752</b>	70	98	11	22,5	18,5	11	36,5	52	50	47	1205	0,36	
35	30	F 1206	<b>65901</b>	<b>681762</b>	83	110	11	26	19	11	40	62	60	52	1206	0,53	
40	35	F 1207	<b>63988</b>	<b>681772</b>	92	120	11	26	19,5	11	39,5	72	70	60	1207	0,62	
45	40	F 1208	<b>68886</b>	<b>681782</b>	102	131	11	30	24,5	15,5	45	80	78	65	1208	0,85	
45*	40*	SF 1208	<b>69998</b>	<b>681792</b>	83	110	11	26	19	10	39	80	78	65	1208	0,78	

\* = **Special version**. The distances between fixing holes (e = 83 mm) are the same as for type da 35 mm.

1) = Available upon request and minimum order quantity.

2) = Dimensions Df max / Df min must be respected to ensure positive retention of the seals and to allow air bleeding during lubrication.

Packaging : 6 pieces.



■ Material

**PA FV polyamide housing**

Housing in reinforced polyamide PA FV resin (black) • Seal and O-Ring in NBR rubber (black) • Ball type nickel plated brass greasing nipple • Reinforcing bushings on mounting holes and washers in stainless steel AISI 304 .

**PP FV polypropylene housing**

Housing in reinforced polypropylene PP FV resin (black) • Seal and O-Ring in NBR rubber (black). On request supplied in Viton rubber (brown). Viton material offers high resistance to chemical agents • Ball type stainless steel AISI 316 greasing nipple • Reinforcing bushings on mounting holes and washers in stainless steel AISI 316.

■ Continuous operating temperature




in air : - 20 to + 60°C.

■ Maximum allowed misalignment: 2°

■ Bearing

Series 1200 self aligning ball bearing • Chrome alloy steel • Supplied without grease • To be prelubricated with lithium / calcium grease during first installation.

■ Loads

Shaft dia. da mm	Bearing dia. d mm	Bearing load		Bearing unit max. static load					
		Load coefficient dyn. C N	stat. Co N						
				PA FV N	PP FV N	PA FV N	PP FV N	PA FV N	PP FV N
30	25	14300	4000	21850	16100	17250	13800	8050	5750
35	30	15600	4650	21850	16100	17250	13800	18400	10350
40	35	19000	6000	21850	17250	17250	13800	19550	13800
45	40	19900	6950	23000	17250	18400	14350	19550	13800
45*	40*	19900	6950	21850	16100	17250	13800	18400	10350

\* = Special version.

■ Quick coupler for remote lubrication (accessory)



Code : 67843.

The system foresees semirigid Ø 4 mm tubes made out of Rilsan/Nylon. The tubes are connected to the joints by means of rapid graft. Material nickel plated brass. Dimension : 1/8 Gas.

■ Spare parts



Seal



Ball type grease nipple

Shaft dia. da mm	housing in PA FV	housing in PP FV	housing in PA FV	housing in PP FV
	Code			
30	603662	603662		
35	603682	603682		
40	603702	603702	64437	63617
45	603722	603722		
45*	603742	603742		

\* = Special version.

# UCFL/C-HCFL/C

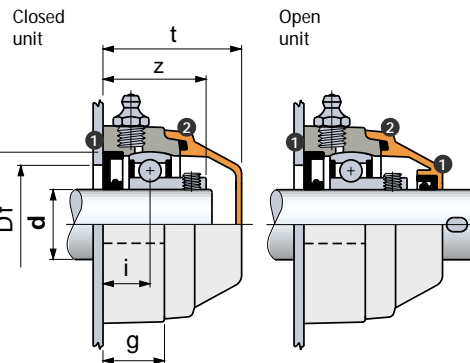
## Oval flange bearing units



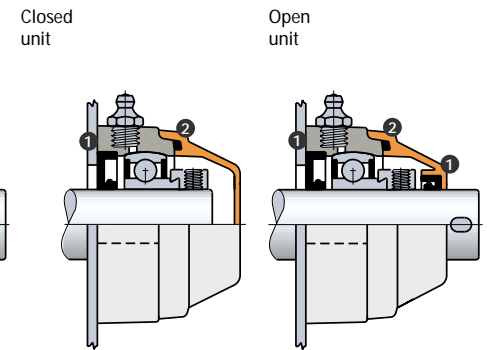
- Waterproof housing
- Grub screws or eccentric collar shaft locking
- PA FV polyamide housing  
High mechanical and heat resistance. Proof to dust, humidity, washouts, steam, average aggressive chemical agents.
- PP FV polypropylene housing  
Proof to highly aggressive chemical agents. Inferior loading ability.
- Solid flange bearings  
They differ from standard flange versions for their closed surface structure, ideal for sanitation.
- Supports with Microban® antibacterial protection  
Microban® material is effective against the most common bacteria that may grow in foodstuff like E. Coli, Salmonella, Listeria, S-Aureus, Campylobacter.



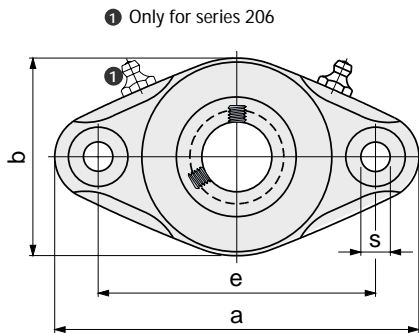
### Series UCFL/C Grub screws shaft locking



### Series HCFL/C Eccentric collar shaft locking



- ① Seal.
- ② O-Ring.



#### Housing material

Ø d mm	Series	Housing material					Dimensions in mm										Bore in frame <sup>2)</sup> Df		Weight Kg
		Polyamide PA FV Standard Flange (black) Cover (orange)	Polyamide PA FV Solid Flange (black) Cover (orange)	Polyamide PA FV with Microban® Solid Flange (grey) Cover (red)	Polypropylene PP FV <sup>1)</sup> Standard Flange (black) Cover (orange)	Polypropylene PP FV with Microban® Solid Flange (white) Cover (red)	e	a	b	s	g	i	z	t	Dg	max.	min.	Bearing	
<b>Grub screws shaft locking • Closed unit</b>																			
20	UCFL 204 C	69016	679152	650972	679452	679652	90	116	62	11	20	15,2	33,5	46	47	45	40	YAT 204	0,25
25	UCFL 205 C	68523	679162	650982	679462	679662	99	130	71	11	22,5	16,8	36,3	49,5	52	50	45	YAT 205	0,33
30	UCFL 206 C	68399	679172	650992	679472	679672	117	148	85	11	26	20	41	55	62	60	50	YAT 206	0,42
35	UCFL 207 C	648131	679182	651002	679482	679682	130	162	93	11	26	19,5	45	59	72	70	55	YAT 207	0,65
40	UCFL 208 C	672411	679192	651012	679492	679692	144	176	102	11	30	23	52	65,5	80	78	65	YAT 208	0,90
<b>Grub screws shaft locking • Open unit</b>																			
20	UCFL 204 C	69026	679202	651072	679502	679702	90	116	62	11	20	15,2	33,5	46	47	45	40	YAT 204	0,25
25	UCFL 205 C	68533	679212	651082	679512	679712	99	130	71	11	22,5	16,8	36,3	49,5	52	50	45	YAT 205	0,33
30	UCFL 206 C	68409	679222	651092	679522	679722	117	148	85	11	26	20	41	55	62	60	50	YAT 206	0,42
35	UCFL 207 C	648141	679232	651102	679532	679732	130	162	93	11	26	19,5	45	59	72	70	55	YAT 207	0,65
40	UCFL 208 C	672421	679242	651112	679542	679742	144	176	102	11	30	23	52	65,5	80	78	65	YAT 208	0,90
<b>Eccentric collar shaft locking • Closed unit</b>																			
20	HCFL 204 C	679052	679252	679352	679552	679752	90	116	62	11	20	15,2	38,7	49	47	45	40	YET 204	0,30
25	HCFL 205 C	679062	679262	679362	679562	679762	99	130	71	11	22,5	16,8	40,3	49,5	52	50	45	YET 205	0,37
30	HCFL 206 C	679072	679272	679372	679572	679772	117	148	85	11	26	20	46,7	55	62	60	50	YET 206	0,49
35	HCFL 207 C	679082	679282	679382	679582	679782	130	162	93	11	26	19,5	48,9	59	72	70	55	YET 207	0,83
40	HCFL 208 C	679092	679292	679392	679592	679792	144	176	102	11	30	23	55,7	71	80	78	65	YET 208	1,09
<b>Eccentric collar shaft locking • Open unit</b>																			
20	HCFL 204 C	679102	679302	679402	679602	679802	90	116	62	11	20	15,2	38,7	49	47	45	40	YET 204	0,30
25	HCFL 205 C	679112	679312	679412	679612	679812	99	130	71	11	22,5	16,8	40,3	49,5	52	50	45	YET 205	0,37
30	HCFL 206 C	679122	679322	679422	679622	679822	117	148	85	11	26	20	46,7	55	62	60	50	YET 206	0,49
35	HCFL 207 C	679132	679332	679432	679632	679832	130	162	93	11	26	19,5	48,9	59	72	70	55	YET 207	0,83
40	HCFL 208 C	679142	679342	679442	679642	679842	144	176	102	11	30	23	55,7	71	80	78	65	YET 208	1,09

1) = Available upon request and minimum order quantity.

2) = Dimensions Df max / Df min must be respected to ensure positive retention of the seals and to allow air bleeding during lubrication.

Packaging : 6 pieces.

Material

PA FV polyamide housing

Housing in reinforced polyamide PA FV resin (black) • Protection cover in polypropylene PP (orange) • Seal and O-Ring in NBR rubber (black) • Ball type nickel plated brass greasing nipple • Reinforcing bushings on mounting holes and washers in stainless steel AISI 304

PA FV polyamide housing with Microban®

Housing in reinforced polyamide PA FV resin (grey) with Microban® • Protection cover in polypropylene PP (red) with Microban® • Seal and O-Ring in NBR rubber (black) • Ball type nickel plated brass greasing nipple • Reinforcing bushings on mounting holes and washers in stainless steel AISI 304

PP FV polypropylene housing

Housing in reinforced polypropylene PP FV resin (black) • Protection cover in polypropylene PP (orange) • Seal and O-Ring in NBR rubber (black). On request supplied in Viton rubber (brown). Viton material offers high resistance to chemical agents • Ball type stainless steel AISI 316 greasing nipple • Reinforcing bushings on mounting holes and washers in stainless steel AISI 316.

PP FV polypropylene housing with Microban®

Housing in reinforced polypropylene PP FV resin (white) with Microban® • Protection cover in polypropylene PP (red) with Microban® • Seal and O-Ring in NBR rubber (black). On request supplied in Viton rubber (brown). Viton material offers high resistance to chemical agents • Ball type stainless steel AISI 316 greasing nipple • Reinforcing bushings on mounting holes and washers in stainless steel AISI 316.

Continuous operating temperature

in air : - 20 to + 60°C.

Maximum allowed misalignment: 2°

Bearing



Series YAT (grub screws shaft locking) • Series YET (eccentric collar shaft locking) • Chrome alloy steel • Superagriseal unit • Prelubricated with lithium / calcium grease • Can be relubricated

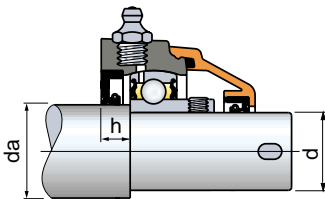
Loads

Shaft dia. d mm	Bearing load			Bearing unit max. static load			
	Load coefficient dyn. <sup>1)</sup> C N	stat. Co N	Max. axial load <sup>1)</sup> N	YAT		YET	
				PA FV N	PP FV N	PA FV N	PP FV N
20	12700	6550	2540	9775	6325	9775	6900
25	14000	7800	2800	10925	7475	11500	7475
30	19500	11200	3900	14950	9200	14375	11500
35	25500	15300	5100	14950	9200	13225	10925
40	30700	19000	6140	14950	9775	14950	10925

1) = Values are valid for applications with ≤ h 6 shaft tolerance. Time 0.77 values must be considered in all other cases.

Shaft shoulders locking

Supplied upon request.



Shaft dia. da mm	Bearing dia. d mm	h mm
25	20	8
30	25	9,1
35	30	10,8
40	35	9,8
45	40	12,3

Quick coupler for remote lubrication (accessory)

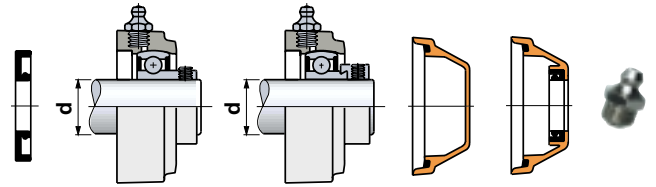


Code : 67843.

The system foresees semirigid Ø 4 mm tubes made out of Rilsan/Nylon. The tubes are connected to the joints by means of rapid graft. Material nickel plated brass. Dimension : 1/8 Gas.

Components and Spare parts

Seal	Base unit with grub screws shaft locking	Base unit with eccentric collar shaft locking	Closed cover supplied with seal	Open Cover supplied with seals	Ball type grease nipple
------	--	---	---------------------------------	--------------------------------	-------------------------



Housing material

Ø d mm	Polyamide PA FV Standard Flange (black) Cover (orange)	Polyamide PA FV Solid Flange (black) Cover (orange)	Polyamide PA FV with Microban® Solid Flange (grey) Cover (red)	Polypropylene PP FV Standard Flange (black) Cover (orange)	Polypropylene PP FV with Microban® Solid Flange (white) Cover (red)
	Code				

Seal	20	25	30	35	40
632151	632151	632151	632151	632151	632151
608941	608941	608941	608941	608941	608941
68416	68416	68416	68416	68416	68416
641111	641111	641111	641111	641111	641111
632141	632141	632141	632141	632141	632141

Base unit with grub screws shaft locking	20	25	30	35	40
655482	679902	666562	680052	680152	680152
655472	679912	666572	680062	680162	680162
666412	679922	666582	680072	680172	680172
666422	679932	666592	680082	680182	680182
666432	679942	666602	680092	680192	680192

Base unit witheccentric collar shaft locking	20	25	30	35	40
679852	679952	680002	680102	680202	680202
679862	679962	680012	680112	680212	680212
679872	679972	680022	680122	680222	680222
679882	679982	680032	680132	680232	680232
679892	679992	680042	680142	680242	680242

Closed cover supplied with seals	20	25	30	35	40 <sup>1)</sup>	40 <sup>2)</sup>
681942	681942	681982	681982	681982	681982	681982
681952	681952	681992	681992	681992	681992	681992
63154	63154	653322	63154	653322	653322	653322
682022	682022	682042	682022	682022	682022	682022
63539	63539	653342	63539	653342	653342	653342
600882	600882	653352	600882	653352	653352	653352

Open cover supplied with seals	20	25	30	35	40 <sup>1)</sup>	40 <sup>2)</sup>
681962	681962	682002	681962	682002	682002	682002
681972	681972	682012	681972	682012	682012	682012
69965	69965	653442	69965	653442	653442	653442
682032	682032	682052	682032	682052	682052	682052
63549	63549	653462	63549	653462	653462	653462
600892	600892	653472	600892	653472	653472	653472

Ball type grease nipple	64437	64437	64437	63617	63617
-------------------------	-------	-------	-------	-------	-------

1) = Protection cover for bearing unit with grub screws shaft locking.  
2) = Protection cover for bearing unit witheccentric collar shaft locking .





Accessories



- Grub screws or eccentric collar shaft locking
- Version with bearing YAR 2F  
The double ring guarantees maximum protection against dust and non-corrosive substances.
- Version with stainless steel bearing YAR 2RF  
AISI 420 stainless steel bearing with 2 rubberised rings, provides excellent seal against humidity, steams, liquids, medium corrosive chemical agents. Maximum load ability is inferior.
- Version with bearing YAT  
The rubberised ring guarantees maximum protection against dusts.
- Supports with Microban® antibacterial protection  
Microban® material is effective against the most common bacteria that may grow in foodstuff like E. Coli, Salmonella, Listeria, S-Aureus, Campylobacter.
- Material  
Polyamide PA FV guarantees maximum strength and high-temperature resistance.  
Polypropylene PP FV offers excellent resistance to chemical agents but inferior load ability.

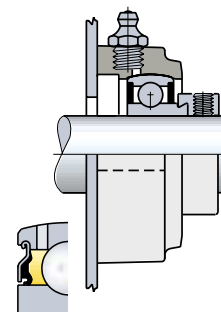
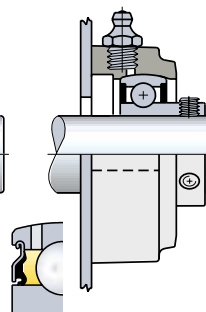
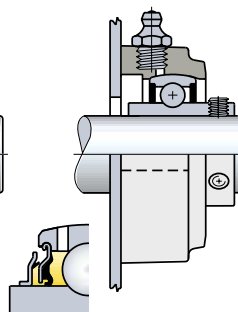
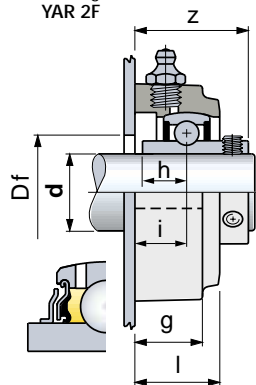
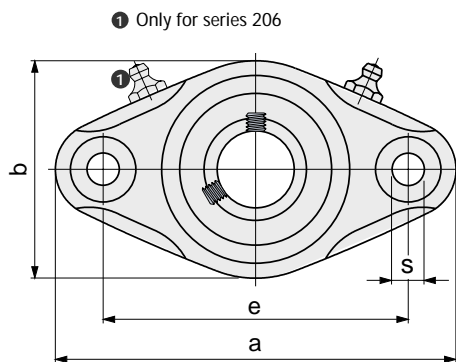
### Series UCFL Grub screws shaft locking

Version with bearing YAR 2F

Version with stainless steel bearing YAR 2RF

Version with bearing YAT

### Series HCFL Eccentric collar shaft locking



#### Housing material

Polyamide PA FV Standard Flange (black)	Polyamide PA FV with Microban® Solid Flange 1) (grey)	Polypropylene PP FV with Microban® Solid Flange 1) (white)
---	---	--

Ø d mm	Series	Code			Dimensions in mm										Bore in frame Df mm	Bearing	Weight Kg
		Standard	Microban	PP	e	a	b	s	g	i	h	l	z				
<b>Grub screws shaft locking • Version with bearing YAR 2F</b>																	
20	UCFL 204	69056	—	—	90	116	62	11	20	15,2	12,7	25	33,5	24	YAR 204 2F	0,25	
25	UCFL 205	68563	—	—	99	130	71	11	22,5	16,8	14,3	27,5	36,5	29	YAR 205 2F	0,31	
30	UCFL 206	68439	—	—	117	148	85	11	26	19	15,9	31,5	41,2	34	YAR 206 2F	0,44	
35	UCFL 207	648171	—	—	130	162	93	11	26	19,5	17,5	32	45	39	YAR 207 2F	0,67	
40	UCFL 208	672451	—	—	144	176	102	11	30	21,8	19	36	52	44	YAR 208 2F	0,90	
<b>Grub screws shaft locking • Version with stainless steel bearing YAR 2RF</b>																	
20	UCFL 204	646542	680252	680302	90	116	62	11	20	15,2	12,7	25	33,5	24	YAR 204 2RF	0,25	
25	UCFL 205	646552	680262	680312	99	130	71	11	22,5	16,8	14,3	27,5	36,5	29	YAR 205 2RF	0,31	
30	UCFL 206	646562	680272	680322	117	148	85	11	26	19	15,9	31,5	41,2	34	YAR 206 2RF	0,44	
35	UCFL 207	646572	680282	680332	130	162	93	11	26	19,5	17,5	32	45	39	YAR 207 2RF	0,67	
40	UCFL 208	646582	680292	680342	144	176	102	11	30	21,8	19	36	52	44	YAR 208 2RF	0,90	
<b>Grub screws shaft locking • Version with bearing YAT</b>																	
20	UCFL 204	655482	—	—	90	116	62	11	20	15,2	—	25	33,5	24	YAT 204	0,23	
25	UCFL 205	655472	—	—	99	130	71	11	22,5	16,8	—	27,5	36,3	29	YAT 205	0,31	
30	UCFL 206	666412	—	—	117	148	85	11	26	20	—	31,5	41	34	YAT 206	0,39	
35	UCFL 207	666422	—	—	130	162	93	11	26	19,5	—	32	45	39	YAT 207	0,62	
40	UCFL 208	666432	—	—	144	176	102	11	30	23	—	36	52	44	YAT 208	0,86	
<b>Eccentric collar shaft locking</b>																	
20	HCFL 204	679852	—	—	90	116	62	11	20	15,2	—	25	38,7	24	YET 204	0,28	
25	HCFL 205	679862	—	—	99	130	71	11	22,5	16,8	—	27,5	40,3	29	YET 205	0,35	
30	HCFL 206	679872	—	—	117	148	85	11	26	20	—	31,5	46,7	34	YET 206	0,46	
35	HCFL 207	679882	—	—	130	162	93	11	26	19,5	—	32	48,9	39	YET 207	0,79	
40	HCFL 208	679892	—	—	144	176	102	11	30	23	—	36	55,7	44	YET 208	1,05	

1) = Closed surface flange structure.  
Packaging : 6 pieces.

■ Material

**PA FV polyamide housing**

Housing in reinforced polyamide PA FV resin (black) • Ball type nickel plated brass greasing nipple • Reinforcing bushings on mounting holes and washers in stainless steel AISI 304.

**PA FV polyamide housing with Microban®**

Housing in reinforced polyamide PA FV resin (grey) with Microban® • Bearing in stainless steel AISI 420 • Ball type nickel plated brass greasing nipple • Reinforcing bushings on mounting holes and washers in stainless steel AISI 304.

**PP FV polypropylene housing with Microban®**

Housing in reinforced polypropylene PP FV resin (white) with Microban® • Bearing in stainless steel AISI 420 • Ball type stainless steel AISI 316 greasing nipple • Reinforcing bushings on mounting holes and washers in stainless steel AISI 316.

■ Continuous operating temperature

in air : - 20 to + 60°C.

■ Maximum allowed misalignment: 2°

■ Bearing

Series YAR 2F (grub screws shaft locking, chrome alloy steel, Superagriseal unit plus centrifuging ring) • Series YAR 2RF (grub screws shaft locking, stainless steel AISI 420, Superagriseal unit plus rubberised centrifuging ring) • Series YAT (grub screws shaft locking, chrome alloy steel, Superagriseal unit) • Series YET (eccentric collar shaft locking, chrome alloy steel, Superagriseal unit) • Prelubricated with lithium/ calcium grease • Can be relubricated

■ Loads

Shaft dia. d mm	Bearing load YAR 2F - YAT - YET			Bearing load YAR 2RF			Bearing unit max. static load	
	Load coefficient		Max. 1) axial load N	Load coefficient		Max. 1) axial load N	PA FV N	PA FV N
	dyn. 1) C	stat. Co		dyn. 1) C	stat. Co			
20	12700	6550	2540	10800	6550	2160	9775	9775
25	14000	7800	2800	11900	7800	2380	10925	11500
30	19500	11200	3900	16250	11200	3250	14950	14375
35	25500	15300	5100	21600	15300	4320	14950	13225
40	30700	19000	6140	26000	19000	5200	14950	14950

1) = Values are valid for applications with ≤ h 6 shaft tolerance. Time 0.77 values must be considered in all other cases.

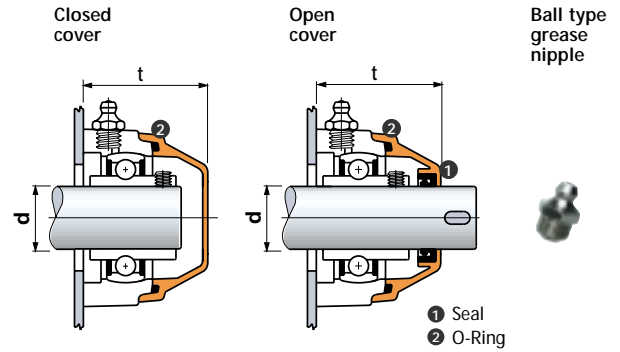
■ Quick coupler for remote lubrication (accessory)



Code : 67843.

The system foresees semirigid Ø 4 mm tubes made out of Rilsan/Nylon. The tubes are connected to the joints by means of rapid graft. Material nickel plated brass. Dimension : 1/8 Gas.

■ Protection cover (accessory) and Spare parts



Ø d mm	Housing material			t mm	
	Polyamide PA FV Cover (orange)	Polyamide PA FV with Microban® Cover (red)	Polypropylene PP FV with Microban® Cover (red)	Series UCFL	Series HCFL
	Code				

Closed cover supplied with seals

20	681942	681982	681982	46	49
25	681952	681992	681992	49,5	49,5
30	63154	653322	653322	55	55
35	682022	682042	682042	59	59
40 1)	63539	653342	653342	65,5	—
40 2)	600882	653352	653352	—	71

Open cover supplied with seals

20	681962	682002	682002	46	49
25	681972	682012	682012	49,5	49,5
30	69965	653442	653442	55	55
35	682032	682052	682052	59	59
40 1)	63549	653462	653462	65,5	—
40 2)	600892	653472	653472	—	71

Ball type grease nipple

	64437	64437	63617
--	-------	-------	-------

1) = Protection cover for bearing unit with grub screws shaft locking.

2) = Protection cover for bearing unit witheccentric collar shaft locking .

**PA FV polyamide housing**

Protection cover in polypropylene PP (orange) • Seal and O-Ring in NBR rubber (black).

**PA FV polyamide housing with Microban®**

Protection cover in polypropylene PP (red) with Microban® • Seal and O-Ring in NBR rubber (black).

**PP FV polypropylene housing with Microban®**

Protection cover in polypropylene PP (red) with Microban® • Seal and O-Ring in NBR rubber (black).



PATENT PENDING

- Stainless steel AISI 304 surface
- Waterproof housing
- Grub screws or eccentric collar shaft locking
- Solid flange  
Patent pending design with perfect seal: rubber makes one-body with steel and engineering plastic bearing seat.

### Series UCFLS/C Grub screws shaft locking

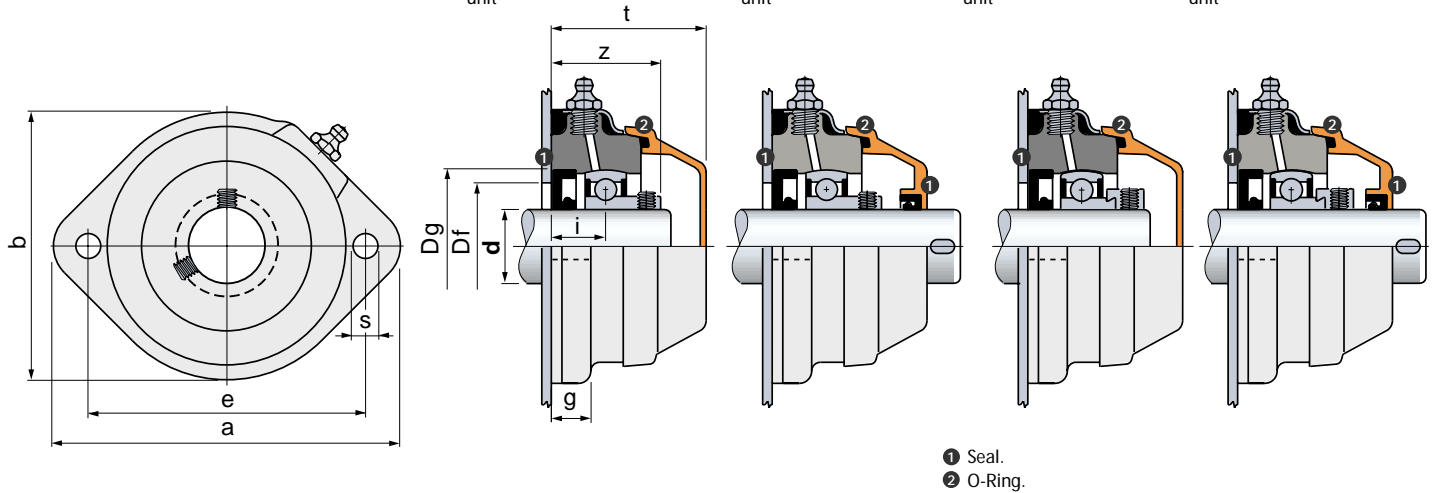
Closed unit

Open unit

### Series HCFLS/C Eccentric collar shaft locking

Closed unit

Open unit



Housing material

Polyamide  
PA FV  
with stainless  
steel surface  
Solid Flange  
Cover  
(orange)

Ø d mm	Serie	Code	Dimensions in mm									Bore in frame <sup>1)</sup> Df		Bearing	Weight Kg	
			e	a	b	s	g	i	z	t	Dg	max.	min.			
<b>Grub screws shaft locking • Closed unit</b>																
30	UCFLS 206 C	670792	117	145	112	10,5	15,5	22	43	65,8	62	60	50	YAT 206	0,65	
35*	SUCFLS 207 C	670802	117	145	112	10,5	15,5	22	45,3	65,8	72	70	55	YAT 207	0,76	
40*	SUCFLS 208 C	670812	117	145	112	10,5	15,5	22	47,3	65,8	80	78	65	YAT 208	0,86	
<b>Grub screws shaft locking • Open unit</b>																
30	UCFLS 206 C	670822	117	145	112	10,5	15,5	22	43	65,8	62	60	50	YAT 206	0,65	
35*	SUCFLS 207 C	670832	117	145	112	10,5	15,5	22	45,3	65,8	72	70	55	YAT 207	0,76	
40*	SUCFLS 208 C	670842	117	145	112	10,5	15,5	22	47,3	65,8	80	78	65	YAT 208	0,86	
<b>Eccentric collar shaft locking • Closed unit</b>																
30	HCFLS 206 C	670852	117	145	112	10,5	15,5	22	49	65,8	62	60	50	YET 206	0,72	
35*	SHCFLS 207 C	670862	117	145	112	10,5	15,5	22	51	65,8	72	70	55	YET 207	0,82	
40*	SHCFLS 208 C	670872	117	145	112	10,5	15,5	22	55	65,8	80	78	65	YET 208	0,92	
<b>Eccentric collar shaft locking • Open unit</b>																
30	HCFLS 206 C	670882	117	145	112	10,5	15,5	22	49	65,8	62	60	50	YET 206	0,72	
35*	SHCFLS 207 C	670892	117	145	112	10,5	15,5	22	51	65,8	72	70	55	YET 207	0,82	
40*	SHCFLS 208 C	670902	117	145	112	10,5	15,5	22	55	65,8	80	78	65	YET 208	0,92	

\* = Special version. The distances between fixing holes (e = 117 mm) are the same as for type d 30 mm.

1) = Dimensions Df max / Df min must be respected to ensure positive retention of the seals and to allow air bleeding during lubrication.

Packaging : 6 pieces.



■ Material

Housing in reinforced polyamide PA FV resin (black) • Stainless steel AISI 304 surface • Protection cover in polypropylene PP (orange) • Seal and O-Ring in NBR rubber (black) • Ball type nickel plated brass greasing nipple.

■ Continuous operating temperature

in air : - 20 to + 60°C.

■ Maximum allowed misalignment: 2°

■ Bearing



Series YAT (grub screws shaft locking) • Series YET (eccentric collar shaft locking) • Chrome alloy steel • Superagriseal unit • Prelubricated with lithium / calcium grease • Can be relubricated

■ Loads

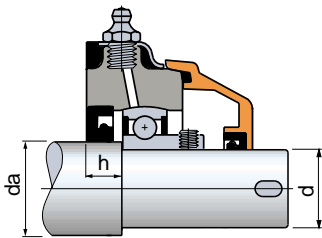
Shaft dia. d mm	Bearing load			Bearing unit max. static load	
	Load coefficient dyn. 1) C N	stat. Co N	Max. axial load 1) N	PA FV N	PA FV N
30	19500	11200	3900	14950	14375
35*	25500	15300	5100	14950	13225
40*	30700	19000	6140	14950	14950

\* = Special version.

1) = Values are valid for applications with ≤ h 6 shaft tolerance. Time 0.77 values must be considered in all other cases.

■ Shaft shoulders locking

Supplied upon request.



Shaft dia. da mm	Bearing dia. d mm	h mm
35	30	12,8
40*	35*	12,3
45*	40*	11,3

\* = Special version.

■ Quick coupler for remote lubrication (accessory)



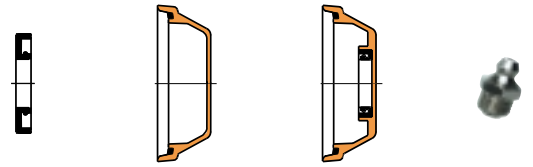
Code : 67843.

The system foresees semirigid Ø 4 mm tubes made out of Rilsan/Nylon. The tubes are connected to the joints by means of rapid graft.

Material nickel plated brass.

Dimension : 1/8 Gas.

■ Spare parts

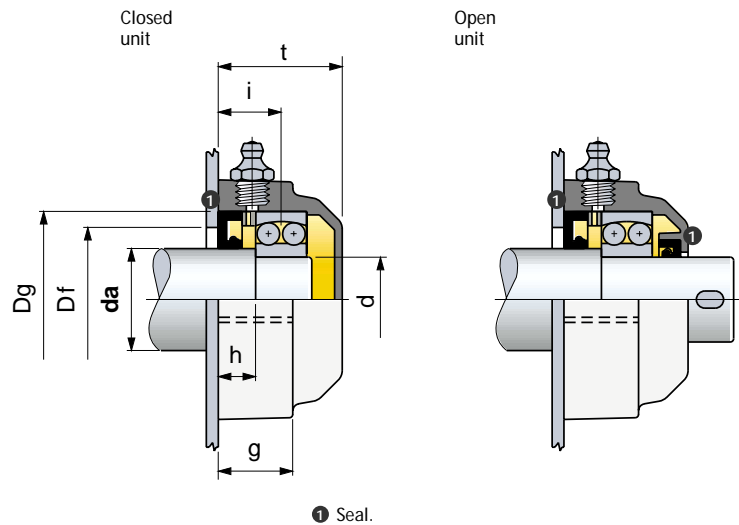
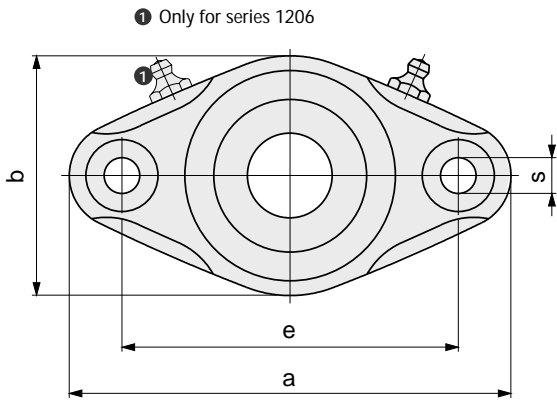


Shaft dia. d mm	Seal	Closed cover supplied with seal	Open Cover supplied with seals	Ball type grease nipple
	Code			
30	68416	63539	615682	64437
35*	641111	63539	615692	
40*	632141	63539	63549	

\* = Special version.



- Waterproof housing
- Shaft shoulders locking  
High axial load capacity.
- PA FV polyamide housing  
High mechanical and heat resistance. Proof to dust, humidity, washouts, steam, average aggressive chemical agents
- PP FV polypropylene housing  
Proof to highly aggressive chemical agents.  
Inferior loading ability.



Shaft dia. da mm	Bearing dia. d mm	Series	Housing material		Dimensions in mm										Bore in frame <sup>2)</sup> Df		Weight Kg
			Polyamide PA FV Standard Flange (black) Code	Polypropylene PP FV <sup>1)</sup> Standard Flange (black) Code	e	a	b	s	g	i	h	t	Dg	max.	min.	Bearing	
<b>Closed unit</b>																	
25	20	FL 1204	<b>68976</b>	<b>680352</b>	90	116	62	11	20	18	11	35,5	47	45	40	1204	0,25
30	25	FL 1205	<b>68483</b>	<b>680362</b>	99	130	71	11	22,5	18,5	11	36,5	52	50	47	1205	0,29
35	30	FL 1206	<b>68339</b>	<b>680372</b>	117	148	85	11	26	19	11	40	62	60	52	1206	0,39
40	35	FL 1207	<b>648091</b>	<b>680382</b>	130	162	93	11	26	19,5	11	40	72	70	60	1207	0,55
45	40	FL 1208	<b>672371</b>	<b>680392</b>	144	176	102	11	30	25	16	45	80	78	65	1208	0,71
<b>Open unit</b>																	
25	20	FL 1204	<b>68986</b>	<b>680402</b>	90	116	62	11	20	18	11	35,5	47	45	40	1204	0,25
30	25	FL 1205	<b>68493</b>	<b>680412</b>	99	130	71	11	22,5	18,5	11	36,5	52	50	47	1205	0,29
35	30	FL 1206	<b>68349</b>	<b>680422</b>	117	148	85	11	26	19	11	40	62	60	52	1206	0,39
40	35	FL 1207	<b>648101</b>	<b>680432</b>	130	162	93	11	26	19,5	11	40	72	70	60	1207	0,55
45	40	FL 1208	<b>672381</b>	<b>680442</b>	144	176	102	11	30	25	16	45	80	78	65	1208	0,71

1) = Available upon request and minimum order quantity.

2) = Dimensions Df max / Df min must be respected to ensure positive retention of the seals and to allow air bleeding during lubrication.

Packaging : 6 pieces.

■ Material

**PA FV polyamide housing**

Housing in reinforced polyamide PA FV resin (black) • Seal and O-Ring in NBR rubber (black) • Bacl type nickel plated brass greasing nipple • Reinforcing bushings on mounting holes and washers in stainless steel AISI 304 .

**PP FV polypropylene housing**

Housing in reinforced polypropylene PP FV resin (black) • Seal and O-Ring in NBR rubber (black). On request supplied in Viton rubber (brown). Viton material offers high resistance to chemical agents • Bacl type stainless steel AISI 316 greasing nipple • Reinforcing bushings on mounting holes and washers in stainless steel AISI 316.

■ Continuous operating temperature

in air : - 20 to + 60°C.

■ Maximum allowed misalignment: 2°

■ Bearing

Series 1200 self aligning bacl bearing • Chrome alloy steel • Supplied without grease • To be prelubricated with lithium / calcium grease during first installation.

■ Loads

Shaft dia. da mm	Bearing dia. d mm	Bearing load		Bearing unit max. static load					
		Load coefficient		←		←		→	
		dyn. C N	stat. Co N	PA FV N	PP FV N	PA FV N	PP FV N	PA FV N	PP FV N
25	20	12700	3400	9200	6900	11500	8625	12650	5750
30	25	14300	4000	11500	6900	12650	9200	13800	5750
35	30	15600	4650	11500	9200	12650	9200	9200	4600
40	35	19000	6000	12650	9200	12650	9200	13800	6900
45	40	19900	6950	12650	9200	13800	9775	17250	12650

■ Quick coupler for remote lubrication (accessory)



Code : 67843.

The system foresees semirigid Ø 4 mm tubes made out of Rilsan/Nylon. The tubes are connected to the joints by means of rapid graft.  
Material nickel plated brass.  
Dimension : 1/8 Gas.

■ Spare parts



Seal



Ball type grease nipple

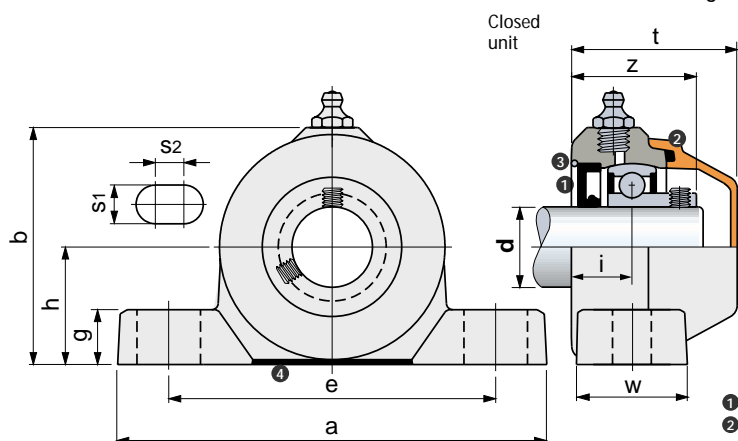
Shaft dia. da mm	housing in PA FV	housing in PP FV	housing in PA FV	housing in PP FV
	Code			
25	<b>603642</b>	<b>603642</b>		
30	<b>603662</b>	<b>603662</b>		
35	<b>603682</b>	<b>603682</b>	<b>64437</b>	<b>63617</b>
40	<b>603702</b>	<b>603702</b>		
45	<b>603722</b>	<b>603722</b>		



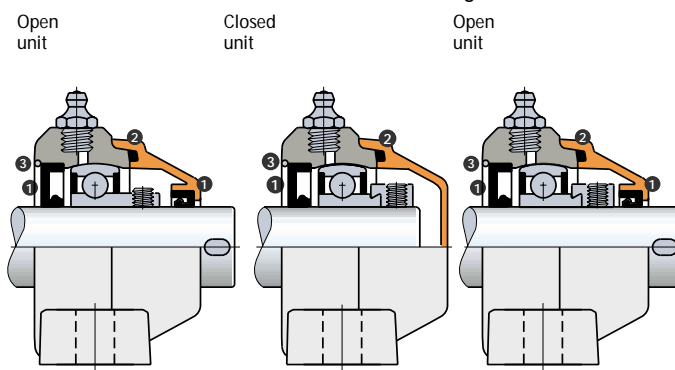


- Waterproof housing
- Grub screws or eccentric collar shaft locking
- PA FV polyamide housing  
High mechanical and heat resistance. Proof to dust, humidity, washouts, steam, average aggressive chemical agents.
- PP FV polypropylene housing  
Proof to highly aggressive chemical agents. Inferior loading ability.
- Supports with Microban® antibacterial protection  
Microban® material is effective against the most common bacteria that may grow in foodstuff like E. Coli, Salmonella, Listeria, S-Aureus, Campylobacter.

### Series UCP/C Grub screws shaft locking



### Series HCP/C Eccentric collar shaft locking



- ① Seal.
- ② O-Ring.
- ③ Safety ring.
- ④ Bottom seal.

#### Housing material

Polyamide PA FV Flange (black) Cover (orange)	Polyamide PA FV with Microban® Flange (grey) Cover (red)	Polypropylene PP FV <sup>1)</sup> Flange (black) Cover (orange)	Polypropylene PP FV with Microban® Flange (white) Cover (red)
---	--	---	---

Ø d mm	Serie	Code				Dimensions in mm												Weight Kg
		e	a	h	b	s1	s2	g	w	i	z	t	Bearing					
<b>Grub screws shaft locking • Closed unit</b>																		
20	UCP 204 C	682941	651452	678152	678352	96	128	33,3	67	12	10	17	30	18,9	37,2	49,7	YAT 204	0,27
25	UCP 205 C	646511	651462	678162	678362	106	140	36,5	75	12	10	17	34,5	18,8	38,3	51,5	YAT 205	0,33
30	UCP 206 C	646531	651472	678172	678372	121	163	42,9	88	14	10	20	36	19,7	40,7	55	YAT 206	0,49
35	UCP 207 C	646551	651482	678182	678382	126	167	47,6	98	14	10	20	38,6	21,3	44,6	61	YAT 207	0,64
40	UCP 208 C	683041	651492	678192	678392	136	185	50	102	14	10	20	38,6	25	50,3	66,5	YAT 208	0,84
<b>Grub screws shaft locking • Open unit</b>																		
20	UCP 204 C	682931	651552	678202	678402	96	128	33,3	67	12	10	17	30	18,9	37,2	49,7	YAT 204	0,27
25	UCP 205 C	646521	651562	678212	678412	106	140	36,5	75	12	10	17	34,5	18,8	38,3	51,5	YAT 205	0,33
30	UCP 206 C	646541	651572	678222	678422	121	163	42,9	88	14	10	20	36	19,7	40,7	55	YAT 206	0,49
35	UCP 207 C	646561	651582	678232	678432	126	167	47,6	98	14	10	20	38,6	21,3	44,6	61	YAT 207	0,64
40	UCP 208 C	683031	651592	678242	678442	136	185	50	102	14	10	20	38,6	25	50,3	66,5	YAT 208	0,84
<b>Eccentric collar shaft locking • Closed unit</b>																		
20	HCP 204 C	677952	678052	678252	678452	96	128	33,3	67	12	10	17	30	18,9	42,4	52	YET 204	0,32
25	HCP 205 C	677962	678062	678262	678462	106	140	36,5	75	12	10	17	34,5	18,8	42,3	51,5	YET 205	0,37
30	HCP 206 C	677972	678072	678272	678472	121	163	42,9	88	14	10	20	36	19,7	46,4	55	YET 206	0,56
35	HCP 207 C	677982	678082	678282	678482	126	167	47,6	98	14	10	20	38,6	21,3	50,7	61	YET 207	0,82
40	HCP 208 C	677992	678092	678292	678492	136	185	50	102	14	10	20	38,6	25	57,7	72	YET 208	1,03
<b>Eccentric collar shaft locking • Open unit</b>																		
20	HCP 204 C	678002	678102	678302	678502	96	128	33,3	67	12	10	17	30	18,9	42,4	52	YET 204	0,32
25	HCP 205 C	678012	678112	678312	678512	106	140	36,5	75	12	10	17	34,5	18,8	42,3	51,5	YET 205	0,37
30	HCP 206 C	678022	678122	678322	678522	121	163	42,9	88	14	10	20	36	19,7	46,4	55	YET 206	0,56
35	HCP 207 C	678032	678132	678332	678532	126	167	47,6	98	14	10	20	38,6	21,3	50,7	61	YET 207	0,82
40	HCP 208 C	678042	678142	678342	678542	136	185	50	102	14	10	20	38,6	25	57,7	72	YET 208	1,03

1) = Available upon request and minimum order quantity.  
Packaging : 6 pieces.

Material

PA FV polyamide housing

Housing in reinforced polyamide PA FV resin (black) • Protection cover in polypropylene PP (orange) • Seal and O-Ring in NBR rubber (black) • Ball type nickel plated brass greasing nipple • Reinforcing bushings on mounting holes and washers in stainless steel AISI 304 • Stainless steel AISI 303 safety ring • Bottom seal in PVC (black).

PA FV polyamide housing with Microban®

Housing in reinforced polyamide PA FV resin (grey) with Microban® • Protection cover in polypropylene PP (red) with Microban® • Seal and O-Ring in NBR rubber (black) • Ball type nickel plated brass greasing nipple • Reinforcing bushings on mounting holes and washers in stainless steel AISI 304 • Stainless steel AISI 303 safety ring • Bottom seal in PVC (black).

PP FV polypropylene housing

Housing in reinforced polypropylene PP FV resin (black) • Protection cover in polypropylene PP (orange) • Seal and O-Ring in NBR rubber (black). On request supplied in Viton rubber (brown). Viton material offers high resistance to chemical agents • Ball type stainless steel AISI 316 greasing nipple • Reinforcing bushings on mounting holes and washers in stainless steel AISI 316 • Stainless steel AISI 303 safety ring • Bottom seal in PVC (black).

PP FV polypropylene housing with Microban®

Housing in reinforced polypropylene PP FV resin (white) with Microban® • Protection cover in polypropylene PP (red) with Microban® • Seal and O-Ring in NBR rubber (black). On request supplied in Viton rubber (brown). Viton material offers high resistance to chemical agents • Ball type stainless steel AISI 316 greasing nipple • Reinforcing bushings on mounting holes and washers in stainless steel AISI 316 • Stainless steel AISI 303 safety ring • Bottom seal in PVC (black).

Continuous operating temperature

in air : - 20 to + 60°C.

Maximum allowed misalignment: 2°

Bearing



Series YAT (grub screws shaft locking) • Series YET (eccentric collar shaft locking) • Chrome alloy steel • Superagriseal unit • Prelubricated with lithium/ calcium grease • Can be relubricated

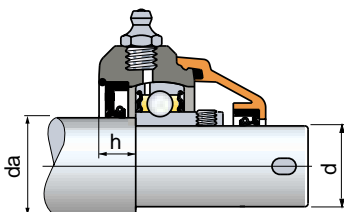
Loads

Shaft dia. d mm	Bearing load			Bearing unit max. static load					
	Load coefficient		Max. axial load N	PA FV		PP FV			
	dyn. <sup>1)</sup> C N	stat. Co N		PA FV N	PP FV N	PA FV N	PP FV N		
20	12700	6550	2540	4600	2070	20700	5750	5750	3450
25	14000	7800	2800	6900	2070	20700	5750	6900	3450
30	19500	11200	3900	8050	2300	28750	8050	9200	4600
35	25500	15300	5100	9200	2530	31050	8625	11500	4830
40	30700	19000	6140	9200	2530	31050	8625	11500	4830

1) = Values are valid for applications with ≤ h 6 shaft tolerance. Time 0.77 values must be considered in all other cases.

Shaft shoulders locking

Supplied upon request.



Shaft dia. da mm	Bearing dia. d mm	h mm
25	20	11,7
30	25	11,1
35	30	10,5
40	35	11,6
45	40	14,3

Quick coupler for remote lubrication (accessory)

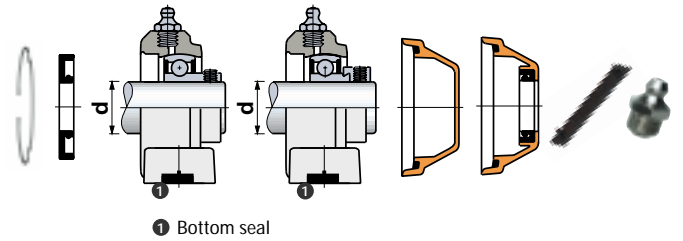


Code : 67843.

The system foresees semirigid Ø 4 mm tubes made out of Rilsan/Nylon. The tubes are connected to the joints by means of rapid graft. Material nickel plated brass. Dimension : 1/8 Gas.

Components and Spare parts

- Safety ring
- Seal
- Base unit with grub screws shaft locking
- Base unit with eccentric collar shaft locking
- Closed cover supplied with seal
- Open Cover supplied with seals
- Bottom seal
- Ball type grease nipple



Bottom seal

Housing material

Ø d mm	Polyamide PA FV Flange (black) Cover (orange)	Polyamide PA FV with Microban® Flange (grey) Cover (red)	Polypropylene PP FV Flange (black) Cover (orange)	Polypropylene PP FV with Microban® Flange (white) Cover (red)
	Code			
<b>Safety ring</b>				
20	600982	600982	600982	600982
25	646281	646281	646281	646281
30	646291	646291	646291	646291
35	646301	646301	646301	646301
40	601052	601052	601052	601052
<b>Seal</b>				
20	632151	632151	632151	632151
25	608941	608941	608941	608941
30	68416	68416	68416	68416
35	641111	641111	641111	641111
40	632141	632141	632141	632141
<b>Base unit with grub screws shaft locking</b>				
20	678552	678652	678752	678852
25	678562	678662	678762	678862
30	678572	678672	678772	678872
35	678582	678682	678782	678882
40	678592	678692	678792	678892
<b>Base unit with eccentric collar shaft locking</b>				
20	678602	678702	678802	678902
25	678612	678712	678812	678912
30	678622	678722	678822	678922
35	678632	678732	678832	678932
40	678642	678742	678842	678942
<b>Closed cover supplied with seals</b>				
20	681942	681982	681942	681982
25	681952	681992	681952	681992
30	63154	653322	63154	653322
35	682022	682042	682022	682042
40 <sup>1)</sup>	63539	653342	63539	653342
40 <sup>2)</sup>	600882	653352	600882	653352
<b>Open cover supplied with seals</b>				
20	681962	682002	681962	682002
25	681972	682012	681972	682012
30	69965	653442	69965	653442
35	682032	682052	682032	682052
40 <sup>1)</sup>	63549	653462	63549	653462
40 <sup>2)</sup>	600892	653472	600892	653472
<b>Bottom seal</b>				
20	692391	692391	692391	692391
25	646251	646251	646251	646251
30	646261	646261	646261	646261
35	646271	646271	646271	646271
40	692401	692401	692401	692401
<b>Ball type grease nipple</b>				
	64437	64437	63617	63617

1) = Protection cover for bearing unit with grub screws shaft locking.

2) = Protection cover for bearing unit with eccentric collar shaft locking.



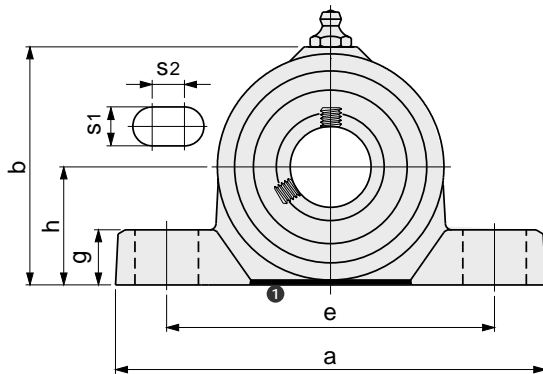
Accessories



- Grub screws or eccentric collar shaft locking
- Version with bearing YAR 2F  
The double ring guarantees maximum protection against dust and non-corrosive substances.
- Version with stainless steel bearing YAR 2RF  
AISI 420 stainless steel bearing with 2 rubberised rings, provides excellent seal against humidity, steams, liquids, medium corrosive chemical agents. Maximum load ability is inferior.
- Version with bearing YAT  
The rubberised ring guarantees maximum protection against dusts.
- Supports with Microban® antibacterial protection  
Microban® material is effective against the most common bacteria that may grow in foodstuff like E. Coli, Salmonella, Listeria, S-Aureus, Campylobacter.
- Material  
Polyamide PA FV guarantees maximum strength and high-temperature resistance.  
Polypropylene PP FV offers excellent resistance to chemical agents but inferior load ability.

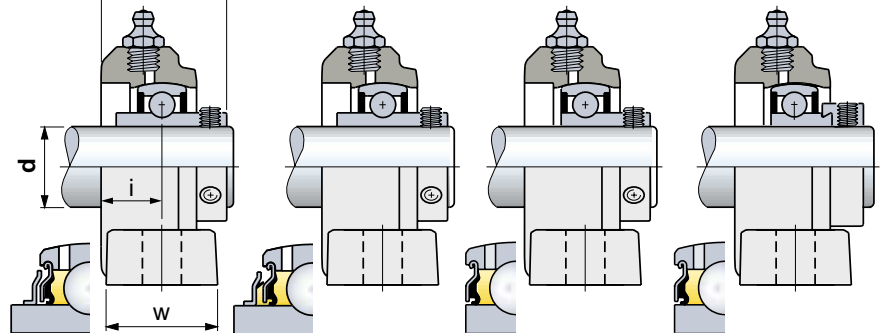
### Series UCP Grub screws shaft locking

Version with bearing YAR 2F



Version with stainless steel bearing YAR 2RF

Version with bearing YAT



① Bottom seal.

### Housing material

	Polyamide PA FV Flange (black)	Polyamide PA FV with Microban® Flange (grey)	Polypropylene PP FV with Microban® Flange (white)
--	--------------------------------	--	---

Ø d mm	Serie	Housing material			Dimensions in mm										Weight Kg	
		Polyamide PA FV Flange (black)	Polyamide PA FV with Microban® Flange (grey)	Polypropylene PP FV with Microban® Flange (white)	e	a	h	b	s1	s2	g	w	i	z		Bearing
<b>Grub screws shaft locking • Version with bearing YAR 2F</b>																
20	UCP 204	682921	—	—	96	128	33,3	67	12	10	17	30	18,9	37,2	YAR 204 2F	0,27
25	UCP 205	648781	—	—	106	140	36,5	75	12	10	17	34,5	18,8	38,6	YAR 205 2F	0,33
30	UCP 206	648791	—	—	121	163	42,9	88	14	10	20	36	19,7	41,9	YAR 206 2F	0,49
35	UCP 207	648801	—	—	126	167	47,6	98	14	10	20	38,6	21,3	46,7	YAR 207 2F	0,64
40	UCP 208	683021	—	—	136	185	50	102	14	10	20	38,6	25	55,2	YAR 208 2F	0,84
<b>Grub screws shaft locking • Version with stainless steel bearing YAR 2RF</b>																
20	UCP 204	646492	678952	679002	96	128	33,3	67	12	10	17	30	18,9	37,2	YAR 204 2RF	0,27
25	UCP 205	646502	678962	679012	106	140	36,5	75	12	10	17	34,5	18,8	38,6	YAR 205 2RF	0,33
30	UCP 206	646512	678972	679022	121	163	42,9	88	14	10	20	36	19,7	41,9	YAR 206 2RF	0,49
35	UCP 207	646522	678982	679032	126	167	47,6	98	14	10	20	38,6	21,3	46,7	YAR 207 2RF	0,64
40	UCP 208	646532	678992	679042	136	185	50	102	14	10	20	38,6	25	55,2	YAR 208 2RF	0,84
<b>Grub screws shaft locking • Version with bearing YAT</b>																
20	UCP 204	678552	—	—	96	128	33,3	67	12	10	17	30	18,9	37,2	YAT 204	0,24
25	UCP 205	678562	—	—	106	140	36,5	75	12	10	17	34,5	18,8	38,3	YAT 205	0,30
30	UCP 206	678572	—	—	121	163	42,9	88	14	10	20	36	19,7	40,7	YAT 206	0,44
35	UCP 207	678582	—	—	126	167	47,6	98	14	10	20	38,6	21,3	44,6	YAT 207	0,54
40	UCP 208	678592	—	—	136	185	50	102	14	10	20	38,6	25	50,3	YAT 208	0,72
<b>Eccentric collar shaft locking</b>																
20	HCP 204	678602	—	—	96	128	33,3	67	12	10	17	30	18,9	42,4	YET 204	0,29
25	HCP 205	678612	—	—	106	140	36,5	75	12	10	17	34,5	18,8	42,3	YET 205	0,34
30	HCP 206	678622	—	—	121	163	42,9	88	14	10	20	36	19,7	46,4	YET 206	0,51
35	HCP 207	678632	—	—	126	167	47,6	98	14	10	20	38,6	21,3	50,7	YET 207	0,72
40	HCP 208	678642	—	—	136	185	50	102	14	10	20	38,6	25	57,7	YET 208	0,91

Packaging : 6 pieces.

Material

Supporti in Poliammide PA FV

Housing in reinforced polyamide PA FV resin (black) • Ball type nickel plated brass greasing nipple • Reinforcing bushings on mounting holes and washers in stainless steel AISI 304 • Bottom seal in PVC (black).

Supporti in Poliammide PA FV con Microban®

Housing in reinforced polyamide PA FV resin (grey) with Microban® • Bearing in stainless steel AISI 420 • Ball type nickel plated brass greasing nipple • Reinforcing bushings on mounting holes and washers in stainless steel AISI 304 • Bottom seal in PVC (black).

PP FV polypropylene housing with Microban®

Housing in reinforced polypropylene PP FV resin (white) with Microban® • Bearing in stainless steel AISI 420 • Ball type stainless steel AISI 316 greasing nipple • Reinforcing bushings on mounting holes and washers in stainless steel AISI 316 • Bottom seal in PVC (black).

Continuous operating temperature

in air : - 20 to + 60°C.

Maximum allowed misalignment: 2°

Bearing

Series YAR 2F (grub screws shaft locking, chrome alloy steel, Superagriseal unit plus centrifuging ring) • Series YAR 2RF (grub screws shaft locking, stainless steel AISI 420, Superagriseal unit plus rubberised centrifuging ring) • Series YAT (grub screws shaft locking, chrome alloy steel, Superagriseal unit) • Series YET (eccentric collar shaft locking, chrome alloy steel, Superagriseal unit) • Prelubricated with lithium/ calcium grease • Can be relubricated

Bearing load

Shaft dia. d mm	YAR 2F - YAT - YET			YAR 2RF		
	Load coefficient		Max. 1) axial load N	Load coefficient		Max. 1) axial load N
	dyn.1) C N	stat. Co N		dyn.1) C N	stat. Co N	
20	12700	6550	2540	10800	6550	2160
25	14000	7800	2800	11900	7800	2380
30	19500	11200	3900	16250	11200	3250
35	25500	15300	5100	21600	15300	4320
40	30700	19000	6140	26000	19000	5200

1) = Values are valid for applications with ≤ h 6 shaft tolerance. Time 0.77 values must be considered in all other cases.

Bearing unit max. static load

Shaft dia. d mm	PA FV		PP FV		PA FV		PP FV	
	N	N	N	N	N	N	N	N
20	4600	2070	20700	5750	5750	3450		
25	6900	2070	20700	5750	6900	3450		
30	8050	2300	28750	8050	9200	4600		
35	9200	2530	31050	8625	11500	4830		
40	9200	2530	31050	8625	11500	4830		

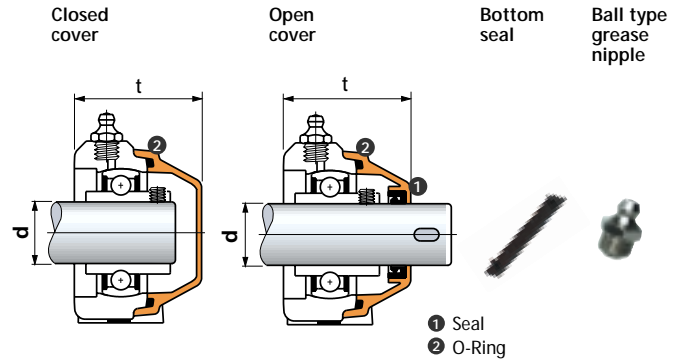
Quick coupler for remote lubrication (accessory)



Code : 67843.

The system foresees semirigid Ø 4 mm tubes made out of Rilsan/Nylon. The tubes are connected to the joints by means of rapid graft. Material nickel plated brass. Dimension : 1/8 Gas.

Protection cover (accessory) and Spare parts



Ø d mm	Housing material			t mm	
	Polyamide PA FV Cover (orange)	Polyamide PA FV with Microban® Cover (red)	Polypropylene PP FV with Microban® Cover (red)	Series UCP	Series HCP
	Code				

Closed cover supplied with seals

20	681942	681982	681982	49,7	52
25	681952	681992	681992	51,5	51,5
30	63154	653322	653322	55	55
35	682022	682042	682042	61	61
40 <sup>1)</sup>	63539	653342	653342	66,5	—
40 <sup>2)</sup>	600882	653352	653352	—	72

Open cover supplied with seals

20	681962	682002	682002	49,7	52
25	681972	682012	682012	51,5	51,5
30	69965	653442	653442	55	55
35	682032	682052	682052	61	61
40 <sup>1)</sup>	63549	653462	653462	66,5	—
40 <sup>2)</sup>	600892	653472	653472	—	72

Bottom seal

20	692391	692391	692391	—	—
25	646251	646251	646251	—	—
30	646261	646261	646261	—	—
35	646271	646271	646271	—	—
40	692401	692401	692401	—	—

Ball type grease nipple

	64437	64437	63617		
--	-------	-------	-------	--	--

1) = Protection cover for bearing unit with grub screws shaft locking.  
2) = Protection cover for bearing unit with eccentric collar shaft locking.

PA FV polyamide housing

Protection cover in polypropylene PP (orange) • Seal and O-Ring in NBR rubber (black).

PA FV polyamide housing with Microban®

Protection cover in polypropylene PP (red) with Microban® • Seal and O-Ring in NBR rubber (black).

PP FV polypropylene housing with Microban®

Protection cover in polypropylene PP (red) with Microban® • Seal and O-Ring in NBR rubber (black).



# UCFB/C-HCFB/C

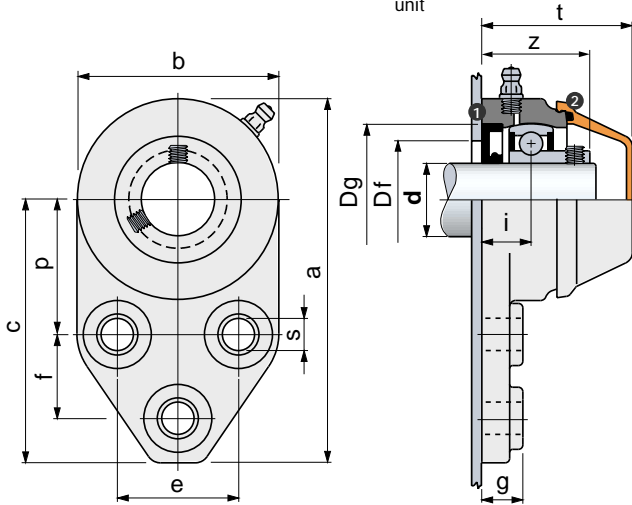
## Side flange bearing units



- Waterproof housing
- Grub screws or eccentric collar shaft locking
- PA FV polyamide housing  
High mechanical and heat resistance. Proof to dust, humidity, washouts, steam, average aggressive chemical agents.
- PP FV polypropylene housing  
Proof to highly aggressive chemical agents. Inferior loading ability.
- Solid flange bearings  
Closed surface structure, ideal for sanitation.
- Supports with Microban® antibacterial protection  
Microban® material is effective against the most common bacteria that may grow in foodstuff like E. Coli, Salmonella, Listeria, S-Aureus, Campylobacter.

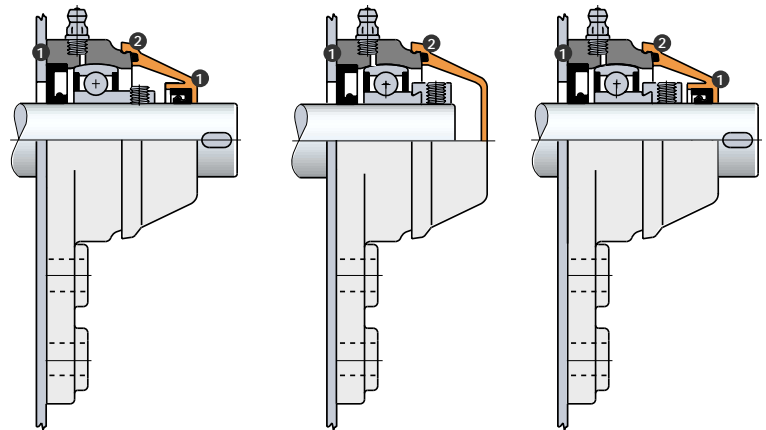
### Series UCFB/C Grub screws shaft locking

Closed unit      Open unit



### Series HCFB/C Eccentric collar shaft locking

Closed unit      Open unit



- ① Seal.
- ② O-Ring.

#### Housing material

Ø d mm	Series	Housing material				Dimensions in mm													Bore in frame <sup>2)</sup> Df		Weight Kg
		Polyamide PA FV Solid Flange (black) Cover (orange)	Polyamide PA FV with Microban® Solid Flange (grey) Cover (red)	Polypropylene PP FV 1) Solid Flange (black) Cover (orange)	Polypropylene PP FV with Microban® Solid Flange (white) Cover (red)	a	b	c	p	e	f	s	g	i	z	t	Dg	max	min.	Bearing	
<b>Grub screws shaft locking • Closed unit</b>																					
25	UCFB 205 C	656542	663312	677712	677832	124,2	68,8	89,8	46	41,3	28,6	11	14	17,8	37,3	52	52	50	45	YAT 205	0,32
30	UCFB 206 C	656562	663322	677722	677842	138,6	81,3	97,9	52,4	47,6	31,7	11	14	20	42,5	55	62	60	50	YAT 206	0,47
35	UCFB 207 C	656582	663332	677732	677852	154,5	93,7	107,6	60,3	50,8	31,7	13	15	19,5	45,7	59	72	70	55	YAT 207	0,64
<b>Grub screws shaft locking • Open unit</b>																					
25	UCFB 205 C	656552	663342	677742	677862	124,2	68,8	89,8	46	41,3	28,6	11	14	17,8	37,3	52	52	50	45	YAT 205	0,32
30	UCFB 206 C	656572	663352	677752	677872	138,6	81,3	97,9	52,4	47,6	31,7	11	14	20	42,5	55	62	60	50	YAT 206	0,47
35	UCFB 207 C	656592	663362	677762	677882	154,5	93,7	107,6	60,3	50,8	31,7	13	15	19,5	45,7	59	72	70	55	YAT 207	0,64
<b>Eccentric collar shaft locking • Closed unit</b>																					
25	HCFB 205 C	663252	663372	677772	677892	124,2	68,8	89,8	46	41,3	28,6	11	14	17,8	41,3	57	52	50	45	YET 205	0,35
30	HCFB 206 C	663262	663382	677782	677902	138,6	81,3	97,9	52,4	47,6	31,7	11	14	20	46,7	60	62	60	50	YET 206	0,50
35	HCFB 207 C	663272	663392	677792	677912	154,5	93,7	107,6	60,3	50,8	31,7	13	15	19,5	49	64,5	72	70	55	YET 207	0,67
<b>Eccentric collar shaft locking • Open unit</b>																					
25	HCFB 205 C	663282	663402	677802	677922	124,2	68,8	89,8	46	41,3	28,6	11	14	17,8	41,3	57	52	50	45	YET 205	0,35
30	HCFB 206 C	663292	663412	677812	677932	138,6	81,3	97,9	52,4	47,6	31,7	11	14	20	46,7	60	62	60	50	YET 206	0,50
35	HCFB 207 C	663302	663422	677822	677942	154,5	93,7	107,6	60,3	50,8	31,7	13	15	19,5	49	64,5	72	70	55	YET 207	0,67

1) = Available upon request and minimum order quantity.

2) = Dimensions Df max / Df min must be respected to ensure positive retention of the seals and to allow air bleeding during lubrication.

Packaging : 6 pieces.

Material

PA FV polyamide housing

Housing in reinforced polyamide PA FV resin (black) • Protection cover in polypropylene PP (orange) • Seal and O-Ring in NBR rubber (black) • Ball type nickel plated brass greasing nipple • Reinforcing bushings on mounting holes in stainless steel AISI 304.

PA FV polyamide housing with Microban®

Housing in reinforced polyamide PA FV resin (grey) with Microban® • Protection cover in polypropylene PP (red) with Microban® • Seal and O-Ring in NBR rubber (black) • Ball type nickel plated brass greasing nipple • Reinforcing bushings on mounting holes in stainless steel AISI 304.

PP FV polypropylene housing

Housing in reinforced polypropylene PP FV resin (black) • Protection cover in polypropylene PP (orange) • Seal and O-Ring in NBR rubber (black). On request supplied in Viton rubber (brown). Viton material offers high resistance to chemical agents • Ball type stainless steel AISI 316 greasing nipple • Reinforcing bushings on mounting holes in stainless steel AISI 316.

PP FV polypropylene housing with Microban®

Housing in reinforced polypropylene PP FV resin (white) with Microban® • Protection cover in polypropylene PP (red) with Microban® • Seal and O-Ring in NBR rubber (black). On request supplied in Viton rubber (brown). Viton material offers high resistance to chemical agents • Ball type stainless steel AISI 316 greasing nipple • Reinforcing bushings on mounting holes in stainless steel AISI 316.

Continuous operating temperature

in air : - 20 to + 60°C.

Maximum allowed misalignment: 2°

Bearing



Series YAT (grub screws shaft locking) • Series YET (eccentric collar shaft locking) • Chrome alloy steel • Superagriseal unit • Prelubricated with lithium / calcium grease • Can be relubricated

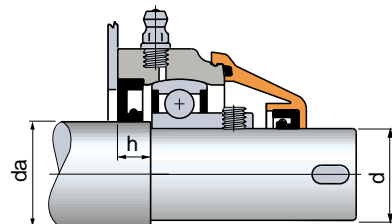
Loads

Shaft dia. d mm	Bearing load			Bearing unit max. static load			
	Load coefficient		Max. 1) axial load N	PA FV		PP FV	
	dyn. 1) C N	stat. Co N		PA FV N	PP FV N	PA FV N	PP FV N
25	14000	7800	2800	4400	3200	2200	850
30	19500	11200	3900	5200	3200	1600	850
35	25500	15300	5100	6000	3400	1600	850

1) = Values are valid for applications with ≤ h 6 shaft tolerance. Time 0.77 values must be considered in all other cases.

Shaft shoulders locking

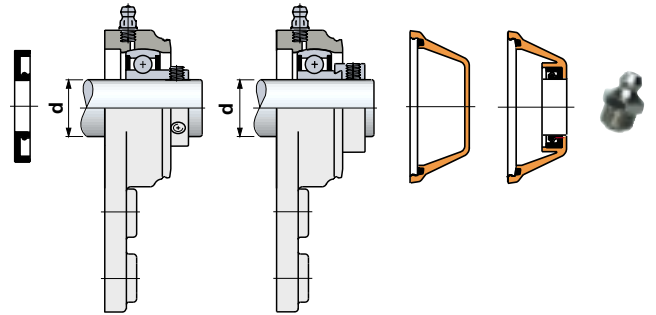
Supplied upon request.



Shaft dia. da mm	Bearing dia. d mm	h mm
30	25	10,1
35	30	10,8
40	35	9,8

Components and Spare parts

Seal	Base unit with grub screws shaft locking	Base unit with eccentric collar shaft locking	Closed cover supplied with seal	Open cover supplied with seals	Ball type grease nipple
------	--	---	---------------------------------	--------------------------------	-------------------------



Housing material

Ø d mm	Polyamide PA FV Solid Flange (black) Cover (orange)	Polyamide PA FV with Microban® Solid Flange (grey) Cover (red)	Polypropylene PP FV Solid Flange (black) Cover (orange)	Polypropylene PP FV with Microban® Solid Flange (white) Cover (red)
	Code			
<b>Seal</b>				
25	608941	608941	608941	608941
30	68416	68416	68416	68416
35	641111	641111	641111	641111
<b>Base unit with grub screws shaft locking</b>				
25	663672	663732	663792	663852
30	663682	663742	663802	663862
35	663692	663752	663812	663872
<b>Base unit with eccentric collar shaft locking</b>				
25	663702	663762	663822	663882
30	663712	663772	663832	663892
35	663722	663782	663842	663902
<b>Closed cover supplied with seals</b>				
25	681952	681992	681952	681992
30	63154	653322	63154	653322
35	682022	682042	682022	682042
<b>Open cover supplied with seals</b>				
25	681972	682012	681972	682012
30	69965	653442	69965	653442
35	682032	682052	682032	682052
<b>Ball type grease nipple</b>				
	665422	665422	665432	665432

# UCFB-HCFB

## Side flange bearing units



Accessories



- Grub screws or eccentric collar shaft locking
- Version with bearing YAR 2F  
The double ring guarantees maximum protection against dust and non-corrosive substances.
- Version with stainless steel bearing YAR 2RF  
AISI 420 stainless steel bearing with 2 rubberised rings, provides excellent seal against humidity, steams, liquids, medium corrosive chemical agents. Maximum load ability is inferior.
- Version with bearing YAT  
The rubberised ring guarantees maximum protection against dusts.
- Supports with Microban® antibacterial protection  
Microban® material is effective against the most common bacteria that may grow in foodstuff like E. Coli, Salmonella, Listeria, S-Aureus, Campylobacter.
- Material  
Polyamide PA FV guarantees maximum strength and high-temperature resistance.  
Polypropylene PP FV offers excellent resistance to chemical agents but inferior load ability.

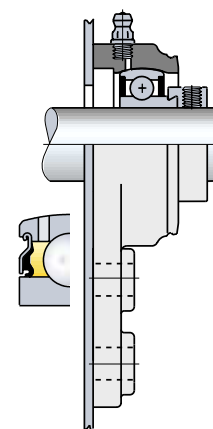
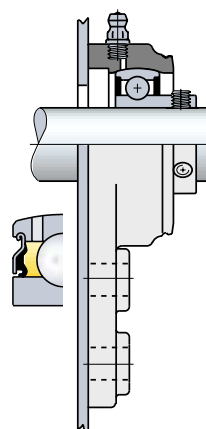
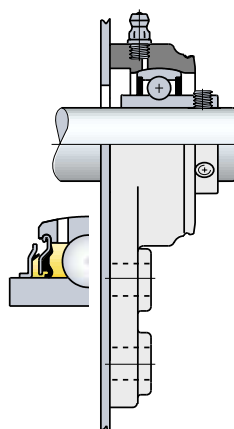
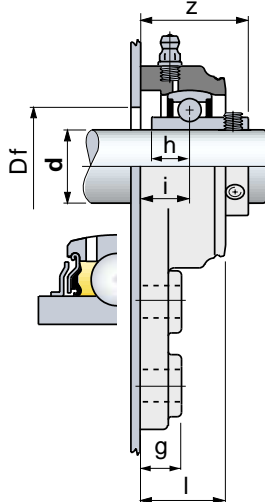
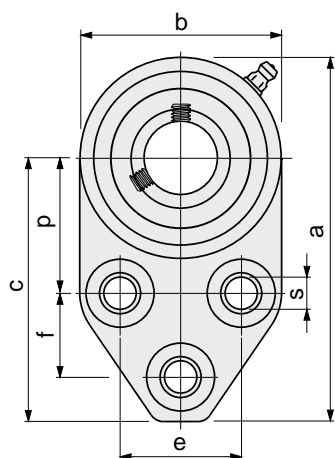
### Series UCFB Grub screws shaft locking

Version with bearing YAR 2F

Version with stainless steel bearing YAR 2RF

Version with bearing YAT

### Series HCFB Eccentric collar shaft locking



#### Housing material

Ø d mm	Series	Housing material			Dimensions in mm													Bore in frame Df mm	Bearing	Weight Kg
		Polyamide PA FV Solid Flange <sup>1)</sup> (black)	Polyamide PA FV with Microban® Solid Flange <sup>1)</sup> (grey)	Polypropylene PP FV with Microban® Solid Flange <sup>1)</sup> (white)	a	b	c	p	e	f	s	g	i	h	l	z				
<b>Grub screws shaft locking • Version with bearing YAR 2F</b>																				
25	UCFB 205	663912	—	—	124,2	68,8	89,8	46	41,3	28,6	11	14	17,8	14,3	29	37,3	29	YAR 205 2F	0,33	
30	UCFB 206	663922	—	—	138,6	81,3	97,9	52,4	47,6	31,7	11	14	20	15,9	31,5	42,5	34	YAR 206 2F	0,50	
35	UCFB 207	663932	—	—	154,5	93,7	107,6	60,3	50,8	31,7	13	15	19,5	17,5	32	45,7	39	YAR 207 2F	0,72	
<b>Grub screws shaft locking • Version with stainless steel bearing YAR 2RF</b>																				
25	UCFB 205	663942	665952	665982	124,2	68,8	89,8	46	41,3	28,6	11	14	17,8	14,3	29	37,3	29	YAR 205 2RF	0,33	
30	UCFB 206	663952	665962	665992	138,6	81,3	97,9	52,4	47,6	31,7	11	14	20	15,9	31,5	42,5	34	YAR 206 2RF	0,50	
35	UCFB 207	663962	665972	666002	154,5	93,7	107,6	60,3	50,8	31,7	13	15	19,5	17,5	32	45,7	39	YAR 207 2RF	0,72	
<b>Grub screws shaft locking • Version with bearing YAT</b>																				
25	UCFB 205	663672	—	—	124,2	68,8	89,8	46	41,3	28,6	11	14	17,8	—	29	37,3	29	YAT 205	0,30	
30	UCFB 206	663682	—	—	138,6	81,3	97,9	52,4	47,6	31,7	11	14	20	—	31,5	42,5	34	YAT 206	0,45	
35	UCFB 207	663692	—	—	154,5	93,7	107,6	60,3	50,8	31,7	13	15	19,5	—	32	45,7	39	YAT 207	0,62	
<b>Eccentric collar shaft locking</b>																				
25	HCFB 205	663702	—	—	124,2	68,8	89,8	46	41,3	28,6	11	14	17,8	—	34	41,3	29	YET 205	0,33	
30	HCFB 206	663712	—	—	138,6	81,3	97,9	52,4	47,6	31,7	11	14	20	—	36,5	46,7	34	YET 206	0,48	
35	HCFB 207	663722	—	—	154,5	93,7	107,6	60,3	50,8	31,7	13	15	19,5	—	38	49	39	YET 207	0,65	

1) = Closed surface flange structure.

Packaging : 6 pieces.

■ Material

**PA FV polyamide housing**

Housing in reinforced polyamide PA FV resin (black) • Ball type nickel plated brass greasing nipple • Reinforcing bushings on mounting holes in stainless steel AISI 304.

**PA FV polyamide housing with Microban®**

Housing in reinforced polyamide PA FV resin (grey) with Microban® • Bearing in stainless steel AISI 420 • Ball type nickel plated brass greasing nipple • Reinforcing bushings on mounting holes in stainless steel AISI 304.

**PP FV polypropylene housing with Microban®**

Housing in reinforced polypropylene PP FV resin (white) with Microban® • Bearing in stainless steel AISI 420 • Ball type stainless steel AISI 316 greasing nipple • Reinforcing bushings on mounting holes in stainless steel AISI 316.

■ Continuous operating temperature

in air : - 20 to + 60°C.

■ Maximum allowed misalignment: 2°

■ Bearing

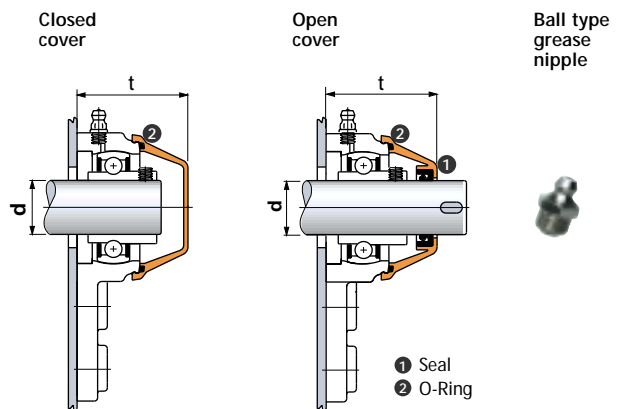
Series YAR 2F (grub screws shaft locking, chrome alloy steel, Supergriseal unit plus centrifuging ring) • Series YAR 2RF (grub screws shaft locking, stainless steel AISI 420, Supergriseal unit plus rubberised centrifuging ring) • Series YAT (grub screws shaft locking, chrome alloy steel, Supergriseal unit) • Series YET (eccentric collar shaft locking, chrome alloy steel, Supergriseal unit) • Prelubricated with lithium / calcium grease • Can be relubricated

■ Loads

Shaft dia. d mm	Bearing load YAR 2F - YAT - YET			Bearing load YAR 2RF			Bearing unit max. static load	
	Load coefficient			Load coefficient			PA FV N	PA FV N
	dyn. <sup>1)</sup> C	stat. Co	Max. <sup>1)</sup> axial load N	dyn. <sup>1)</sup> C	stat. Co	Max. <sup>1)</sup> axial load N		
25	14000	7800	2800	11900	7800	2380	4400	2200
30	19500	11200	3900	16250	11200	3250	5200	1600
35	25500	15300	5100	21600	15300	4320	6000	1600

1) = Values are valid for applications with ≤ h 6 shaft tolerance. Time 0.77 values must be considered in all other cases.

■ Protection cover (accessory) and Spare parts



Housing material

Code	Polyamide PA FV Cover (orange)	Polyamide PA FV with Microban® Cover (red)	Polypropylene PP FV with Microban® Cover (red)	t mm	
	Code			Series UCFB	Series HCFB
<b>Closed cover supplied with seals</b>					
25	681952	681992	681992	52	57
30	63154	653322	653322	55	60
35	682022	682042	682042	59	64,5
<b>Open cover supplied with seals</b>					
25	681972	682012	682012	52	57
30	69965	653442	653442	55	60
35	682032	682052	682052	59	64,5
<b>Ball type grease nipple</b>					
	665422	665422	665432	—	—

**PA FV polyamide housing**

Protection cover in polypropylene PP (orange) • Seal and O-Ring in NBR rubber (black).

**PA FV polyamide housing with Microban®**

Protection cover in polypropylene PP (red) with Microban® • Seal and O-Ring in NBR rubber (black).

**PP FV polypropylene housing with Microban®**

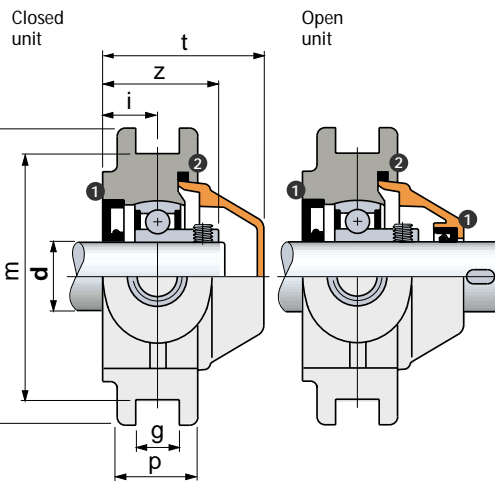
Protection cover in polypropylene PP (red) with Microban® • Seal and O-Ring in NBR rubber (black).



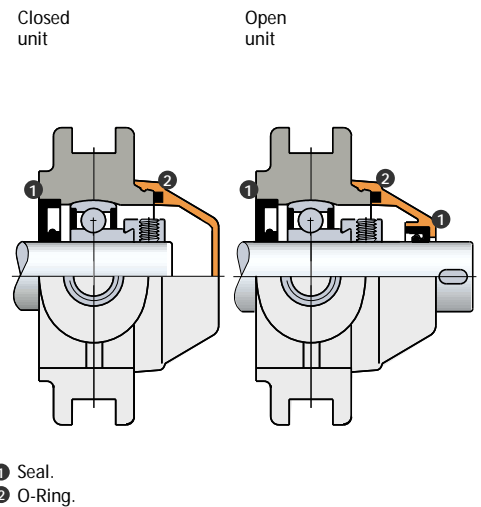


- Waterproof housing
- Grub screws or eccentric collar shaft locking
- PA FV polyamide housing  
High mechanical and heat resistance. Proof to dust, humidity, washouts, steam, average aggressive chemical agents.
- PP FV polypropylene housing  
Proof to highly aggressive chemical agents. Inferior loading ability.
- Supports with Microban® antibacterial protection  
Microban® material is effective against the most common bacteria that may grow in foodstuff like E. Coli, Salmonella, Listeria, S-Aureus, Campylobacter.

### Series UCT/C Grub screws shaft locking



### Series HCT/C Eccentric collar shaft locking



Ø d mm	Series	Housing material				Dimensions in mm											Weight Kg		
		Polyamide PA FV Flange (black) Cover (orange)	Polyamide PA FV with Microban® Flange (grey) Cover (red)	Polypropylene PP FV 1) Flange (black) Cover (orange)	Polypropylene PP FV with Microban® Flange (white) Cover (red)	a	b	c	e	f	g	i	m	n	p	z		t	Bearing
<b>Grub screws shaft locking • Closed unit</b>																			
20	UCT 204 C	666952	667072	677472	677592	63,5	34	50	28	M 16	13,5	17	76,2	92	25	35,5	50	YAT 204	0,33
25	UCT 205 C	666962	667082	677482	677602	68,5	39,5	50	28	M 20	13,5	17	76,2	92	25	37,5	52	YAT 205	0,39
30	UCT 206 C	666972	667092	677492	677612	77	48	57	28	M 24	13,5	18,5	89	104	28	39,5	55	YAT 206	0,50
<b>Grub screws shaft locking • Open unit</b>																			
20	UCT 204 C	666982	667102	677502	677622	63,5	34	50	28	M 16	13,5	17	76,2	92	25	35,5	50	YAT 204	0,33
25	UCT 205 C	666992	667112	677512	677632	68,5	39,5	50	28	M 20	13,5	17	76,2	92	25	37,5	52	YAT 205	0,39
30	UCT 206 C	667002	667122	677522	677642	77	48	57	28	M 24	13,5	18,5	89	104	28	39,5	55	YAT 206	0,50
<b>Eccentric collar shaft locking • Closed unit</b>																			
20	UCT 204 C	667012	667132	677532	677652	63,5	34	50	28	M 16	13,5	17	76,2	92	25	42	57	YET 204	0,36
25	UCT 205 C	667022	667142	677542	677662	68,5	39,5	50	28	M 20	13,5	17	76,2	92	25	43	58	YET 205	0,42
30	UCT 206 C	667032	667152	677552	677672	77	48	57	28	M 24	13,5	18,5	89	104	28	47	62	YET 206	0,53
<b>Eccentric collar shaft locking • Open unit</b>																			
20	HCT 204 C	667042	667162	677562	677682	63,5	34	50	28	M 16	13,5	17	76,2	92	25	42	57	YET 204	0,36
25	HCT 205 C	667052	667172	677572	677692	68,5	39,5	50	28	M 20	13,5	17	76,2	92	25	43	58	YET 205	0,42
30	HCT 206 C	667062	667182	677582	677702	77	48	57	28	M 24	13,5	18,5	89	104	28	47	62	YET 206	0,53

1) = Available upon request and minimum order quantity.  
Packaging : 6 pieces.

Material

PA FV polyamide housing

Housing in reinforced polyamide PA FV resin (black) • Protection cover in polypropylene PP (orange) • Seal and O-Ring in NBR rubber (black) • Ball type nickel plated brass greasing nipple • Threaded insert in nickel plated brass.

PA FV polyamide housing with Microban®

Housing in reinforced polyamide PA FV resin (grey) with Microban® • Protection cover in polypropylene PP (red) with Microban® • Seal and O-Ring in NBR rubber (black) • Ball type nickel plated brass greasing nipple • Threaded insert in nickel plated brass.

PP FV polypropylene housing

Housing in reinforced polypropylene PP FV resin (black) • Protection cover in polypropylene PP (orange) • Seal and O-Ring in NBR rubber (black). On request supplied in Viton rubber (brown). Viton material offers high resistance to chemical agents • Ball type stainless steel AISI 316 greasing nipple • Threaded insert in nickel plated brass.

PP FV polypropylene housing with Microban®

Housing in reinforced polypropylene PP FV resin (white) with Microban® • Protection cover in polypropylene PP (red) with Microban® • Seal and O-Ring in NBR rubber (black). On request supplied in Viton rubber (brown). Viton material offers high resistance to chemical agents • Ball type stainless steel AISI 316 greasing nipple • Threaded insert in nickel plated brass.

Continuous operating temperature

in air : - 20 to + 60°C.

Maximum allowed misalignment: 2°

Bearing



Series YAT (grub screws shaft locking) • Series YET (eccentric collar shaft locking) • Chrome alloy steel • Superagriseal unit • Prelubricated with lithium / calcium grease • Can be relubricated

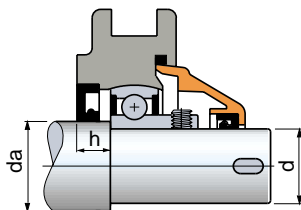
Loads

Shaft dia. d mm	Bearing load		Max. <sup>1)</sup> axial load N	Bearing unit max. static load PA FV N
	Load coefficient dyn. <sup>1)</sup> C N	stat. C o N		
20	12700	6550	2540	16000
25	14000	7800	2800	24000
30	19500	11200	3900	27000

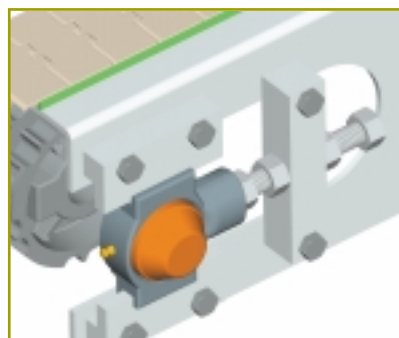
<sup>1)</sup> = Values are valid for applications with ≤ h 6 shaft tolerance. Time 0.77 values must be considered in all other cases.

Shaft shoulders locking

Supplied upon request.

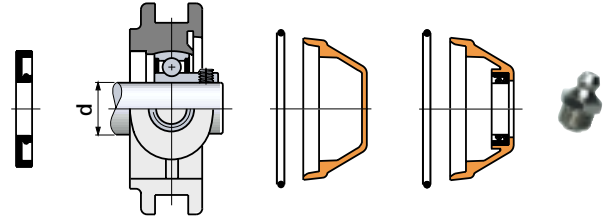


Shaft dia. da mm	Bearing dia. d mm	h mm
25	20	9,8
30	25	9,3
35	30	9,3



Series UCT/C - Components and Spare parts

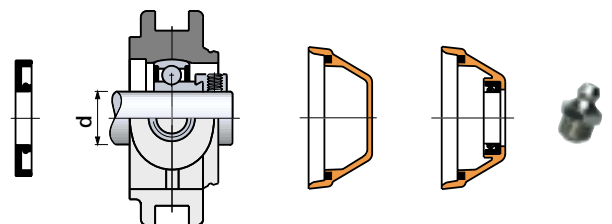
Seal      Base unit with grub screws shaft locking      Closed cover supplied with seal      Open cover supplied with seals      Ball type grease nipple



Ø d mm	Housing material			
	Polyamide PA FV Cover (orange)	Polyamide PA FV with Microban® Cover (red)	Polypropylene PP FV Cover (orange)	Polypropylene PP FV with Microban® Cover (red)
	<b>Code</b>			
<b>Seal</b>				
20	632151	632151	632151	632151
25	608941	608941	608941	608941
30	68416	68416	68416	68416
<b>Base unit with grub screws shaft locking</b>				
20	667432	667462	667492	667522
25	667442	667472	667502	667532
30	667452	667482	667512	667542
<b>Closed cover supplied with seals</b>				
20	681862	681902	681862	681902
25	681872	681912	681872	681912
30	667812	667842	667812	667842
<b>Closed cover supplied with seals</b>				
20	681882	681922	681882	681922
25	681892	681932	681892	681932
30	667932	667962	667932	667962
<b>Ball type grease nipple</b>				
	665422	665422	665432	665432

Series HCT/C - Components and Spare parts

Seal      Base unit with eccentric collar shaft locking      Closed cover supplied with seal      Open cover supplied with seals      Ball type grease nipple



Ø d mm	Housing material			
	Polyamide PA FV Cover (orange)	Polyamide PA FV with Microban® Cover (red)	Polypropylene PP FV Cover (orange)	Polypropylene PP FV with Microban® Cover (red)
	<b>Code</b>			
<b>Seal</b>				
20	632151	632151	632151	632151
25	608941	608941	608941	608941
30	68416	68416	68416	68416
<b>Base unit with eccentric collar shaft locking</b>				
20	667552	667582	667612	667642
25	667562	667592	667622	667652
30	667572	667602	667632	667662
<b>Closed cover supplied with seals</b>				
20	681942	681982	681942	681982
25	681952	681992	681952	681992
30	63154	653322	63154	653322
<b>Open Cover supplied with seals</b>				
20	681962	682002	681962	682002
25	681972	682012	681972	682012
30	69965	653442	69965	653442
<b>Ball type grease nipple</b>				
	665422	665422	665432	665432



Accessories



- Grub screws or eccentric collar shaft locking
- Version with bearing YAR 2F  
The double ring guarantees maximum protection against dust and non-corrosive substances.
- Version with stainless steel bearing YAR 2RF  
AISI 420 stainless steel bearing with 2 rubberised rings, provides excellent seal against humidity, steams, liquids, medium corrosive chemical agents. Maximum load ability is inferior.
- Version with bearing YAT  
The rubberised ring guarantees maximum protection against dusts.
- Supports with Microban® antibacterial protection  
Microban® material is effective against the most common bacteria that may grow in foodstuff like E. Coli, Salmonella, Listeria, S-Aureus, Campylobacter.
- Material  
Polyamide PA FV guarantees maximum strength and high-temperature resistance.  
Polypropylene PP FV offers excellent resistance to chemical agents but inferior load ability.

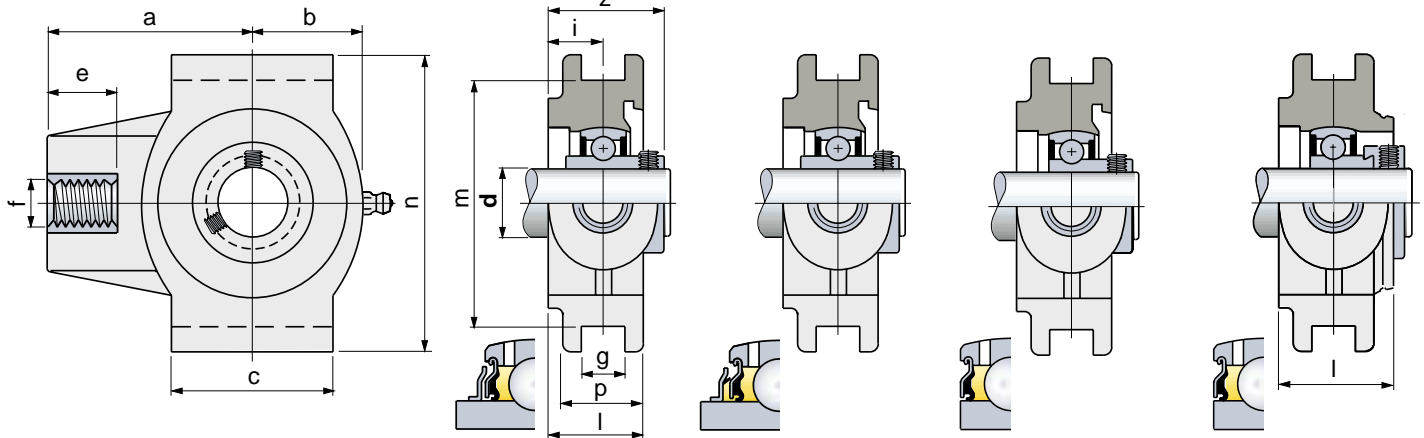
### Series UCT Grub screws shaft locking

Version with bearing YAR 2F

Version with stainless steel bearing YAR 2RF

Version with bearing YAT

### Series HCT Eccentric collar shaft locking



#### Housing material

Ø d mm	Series	Housing material			Dimensions in mm													Weight Kg
		Polyamide PA FV Flange (black)	Polyamide PA FV with Microban® Flange (grey)	Polypropylene PP FV with Microban® Flange (white)	a	b	c	e	f	g	i	l	m	n	p	z	Bearing	
<b>Grub screws shaft locking • Version with bearing YAR 2F</b>																		
20	UCT 204	667672	—	—	63,5	34	50	28	M 16	13,5	17	29,5	76,2	92	25	35,5	YAR 204 2F	0,31
25	UCT 205	667682	—	—	68,5	39,5	50	28	M 20	13,5	17	29,5	76,2	92	25	37,5	YAR 205 2F	0,37
30	UCT 206	667692	—	—	77	48	57	28	M 24	13,5	18,5	32,5	89	104	28	39,5	YAR 206 2F	0,48
<b>Grub screws shaft locking • Version with stainless steel bearing YAR 2RF</b>																		
20	UCT 204	667702	667732	667762	63,5	34	50	28	M 16	13,5	17	29,5	76,2	92	25	35,5	YAR 204 2RF	0,31
25	UCT 205	667712	667742	667772	68,5	39,5	50	28	M 20	13,5	17	29,5	76,2	92	25	37,5	YAR 205 2RF	0,37
30	UCT 206	667722	667752	667782	77	48	57	28	M 24	13,5	18,5	32,5	89	104	28	39,5	YAR 206 2RF	0,48
<b>Grub screws shaft locking • Version with bearing YAT</b>																		
20	UCT 204	667432	—	—	63,5	34	50	28	M 16	13,5	17	29,5	76,2	92	25	35,5	YAT 204	0,31
25	UCT 205	667442	—	—	68,5	39,5	50	28	M 20	13,5	17	29,5	76,2	92	25	37,5	YAT 205	0,37
30	UCT 206	667452	—	—	77	48	57	28	M 24	13,5	18,5	32,5	89	104	28	39,5	YAT 206	0,48
<b>Eccentric collar shaft locking</b>																		
20	HCT 204	667552	—	—	63,5	34	50	28	M 16	13,5	17	35,5	76,2	92	25	40,5	YET 204	0,34
25	HCT 205	667562	—	—	68,5	39,5	50	28	M 20	13,5	17	35,5	76,2	92	25	41	YET 205	0,40
30	HCT 206	667572	—	—	77	48	57	28	M 24	13,5	18,5	38,5	89	104	28	45,2	YET 206	0,51

Packaging : 6 pieces.

■ Material

**PA FV polyamide housing**

Housing in reinforced polyamide PA FV resin (black) • Ball type nickel plated brass greasing nipple • Threaded insert in nickel plated brass.

**PA FV polyamide housing with Microban®**

Housing in reinforced polyamide PA FV resin (grey) with Microban® • Bearing in stainless steel AISI 420 • Ball type nickel plated brass greasing nipple • Threaded insert in nickel plated brass.

**PP FV polypropylene housing with Microban®**

Housing in reinforced polypropylene PP FV resin (white) with Microban® • Bearing in stainless steel AISI 420 • Ball type stainless steel AISI 316 greasing nipple • Threaded insert in nickel plated brass.

■ Continuous operating temperature


in air : - 20 to + 60°C.

■ Maximum allowed misalignment: 2°

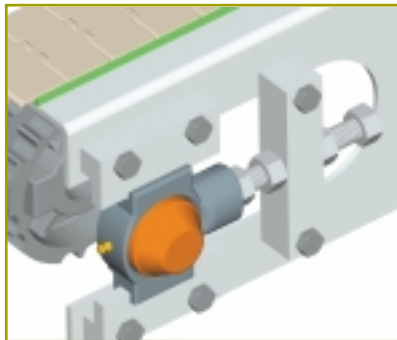
■ Bearing

Series YAR 2F (grub screws shaft locking, chrome alloy steel, Superagriseal unit plus centrifuging ring) • Series YAR 2RF (grub screws shaft locking, stainless steel AISI 420, Superagriseal unit plus rubberised centrifuging ring) • Series YAT (grub screws shaft locking, chrome alloy steel, Superagriseal unit) • Series YET (eccentric collar shaft locking, chrome alloy steel, Superagriseal unit) • Prelubricated with lithium / calcium grease • Can be relubricated

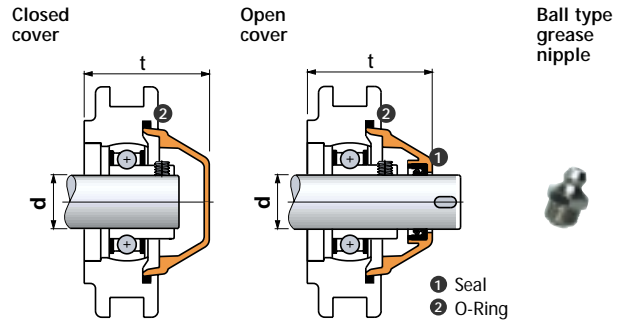
■ Loads

Shaft dia. d mm	Bearing load YAR 2F - YAT - YET			Bearing load YAR 2RF			Bearing unit max. static load	 PA FV N
	Load coefficient dyn. <sup>1)</sup> C N	stat. Co N	Max. <sup>1)</sup> axial load N	Load coefficient dyn. <sup>1)</sup> C N	stat. Co N	Max. <sup>1)</sup> axial load N		
20	12700	6550	2540	10800	6550	2160	16000	
25	14000	7800	2800	11900	7800	2380	24000	
30	19500	11200	3900	16250	11200	3250	27000	

1) = Values are valid for applications with ≤ h 6 shaft tolerance. Time 0.77 values must be considered in all other cases.

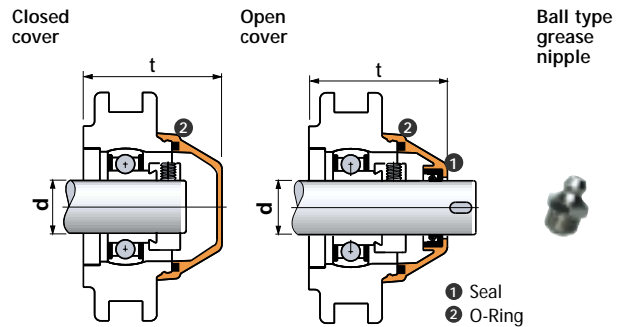


■ Series UCT - Protection cover (accessory) and Spare parts



Ø d mm	Housing material			t mm
	Polyamide PA FV Cover (orange)	Polyamide PA FV with Microban® Cover (red)	Polypropylene PP FV with Microban® Cover (red)	
	<b>Code</b>			
<b>Closed cover supplied with seals</b>				
20	681862	681902	681902	50
25	681872	681912	681912	52
30	667812	667842	667842	55
<b>Open cover supplied with seals</b>				
20	681882	681922	681922	50
25	681892	681932	681932	52
30	667932	667962	667962	55
<b>Ball type grease nipple</b>				
	665422	665422	665432	—

■ Series HCT - Protection cover (accessory) and Spare parts



Ø d mm	Housing material			t mm
	Polyamide PA FV Cover (orange)	Polyamide PA FV with Microban® Cover (red)	Polypropylene PP FV with Microban® Cover (red)	
	<b>Code</b>			
<b>Closed cover supplied with seals</b>				
20	681942	681982	681982	57
25	681952	681992	681992	58
30	63154	653322	653322	62
<b>Open cover supplied with seals</b>				
20	681962	682002	682002	57
25	681972	682012	682012	58
30	69965	653442	653442	62
<b>Ball type grease nipple</b>				
	665422	665422	665432	—

**PA FV polyamide housing**

Protection cover in polypropylene PP (orange) • Seal and O-Ring in NBR rubber (black).

**PA FV polyamide housing with Microban®**

Protection cover in polypropylene PP (red) with Microban® • Seal and O-Ring in NBR rubber (black).

**PP FV polypropylene housing with Microban®**

Protection cover in polypropylene PP (red) with Microban® • Seal and O-Ring in NBR rubber (black).





- Waterproof housing
- Grub screws shaft locking
- PA FV polyamide housing  
High mechanical and heat resistance. Proof to dust, humidity, washouts, steam, average aggressive chemical agents.
- PP FV polypropylene housing  
Proof to highly aggressive chemical agents. Inferior loading ability.

### ■ Closed unit

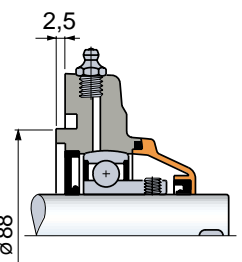
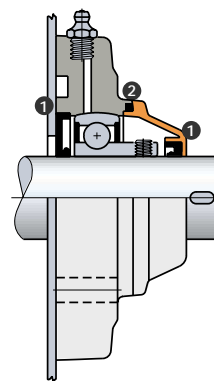
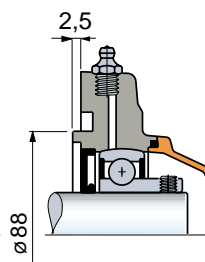
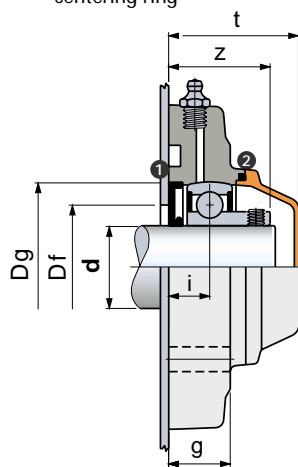
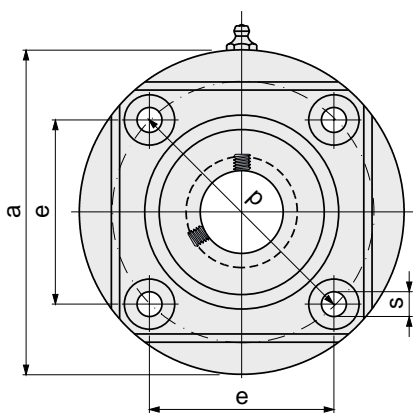
Flange without centering ring

Flange with centering ring

### ■ Open unit

Flange without centering ring

Flange with centering ring



- ① Seal.
- ② O-Ring.

### Housing material

Polyamide PA FV Standard Flange (black) Cover (orange)	Polypropylene PP FV 1) Standard Flange (black) Cover (orange)
--	---

Ø d mm	Flange	Series	Code		Dimensions in mm										Bore in frame <sup>2)</sup> Df		Bearing	Weight Kg
			e	a	p	s	g	i	z	t	Dg	max.	min.					
<b>Closed unit</b>																		
35	Without centering ring	UCFC 207 C	<b>683921</b>	<b>681802</b>	77,8	137	110	11	26	17,3	42,7	55	72	70	55	YAT 207	0,75	
	With centering ring	UCFC 207 C	<b>624772</b>	—	77,8	137	110	11	26	17,3	42,7	55	72	—	—	YAT 207	0,75	
<b>Open unit</b>																		
35	Without centering ring	UCFC 207 C	<b>683931</b>	<b>681812</b>	77,8	137	110	11	26	17,3	42,7	55	72	70	55	YAT 207	0,75	
	With centering ring	UCFC 207 C	<b>624782</b>	—	77,8	137	110	11	26	17,3	42,7	55	72	—	—	YAT 207	0,75	

1) = Available upon request and minimum order quantity.

2) = Dimensions Df max / Df min must be respected to ensure positive retention of the seals and to allow air bleeding during lubrication.

Packaging : 6 pieces.

■ Material

**PA FV polyamide housing**

Housing in reinforced polyamide PA FV resin (black) • Protection cover in polypropylene PP (orange) • Seal and O-Ring in NBR rubber (black) • Ball type nickel plated brass greasing nipple • Reinforcing bushings on mounting holes and washers in stainless steel AISI 304

**PP FV polypropylene housing**

Housing in reinforced polypropylene PP FV resin (black) • Protection cover in polypropylene PP (orange) • Seal and O-Ring in NBR rubber (black). On request supplied in Viton rubber (brown). Viton material offers high resistance to chemical agents • Ball type stainless steel AISI 316 greasing nipple • Reinforcing bushings on mounting holes and washers in stainless steel AISI 316.

■ Continuous operating temperature

in air : - 20 to + 60°C.

■ Maximum allowed misalignment: 2°

■ Bearing



Series YAT (grub screws shaft locking) • Series YET (eccentric collar shaft locking) • Chrome alloy steel • Superagriseal unit • Prelubricated with lithium / calcium grease • Can be relubricated

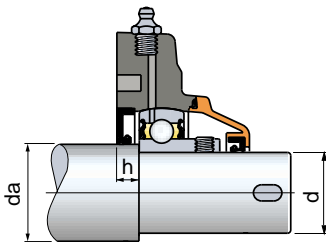
■ Loads

Shaft dia. d mm	Bearing load			Bearing unit max. static load			
	Load coefficient		Max. <sup>1)</sup> axial load N	PA FV		PP FV	
	dyn. <sup>1)</sup> C N	stat. Co N		PA FV N	PP FV N	PA FV N	PP FV N
35	25500	15300	5100	19550	12650	23000	11500

1) = Values are valid for applications with ≤ h 6 shaft tolerance. Time 0.77 values must be considered in all other cases.

■ Shaft shoulders locking

Supplied upon request.



Shaft dia. da mm	Bearing dia. d mm	h mm
40	35	7,6

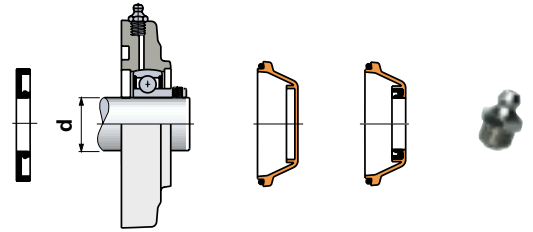
■ Quick coupler for remote lubrication (accessory)



Code : 67843.

The system foresees semirigid Ø 4 mm tubes made out of Rilsan/Nylon. The tubes are connected to the joints by means of rapid graft.  
Material nickel plated brass.  
Dimension : 1/8 Gas.

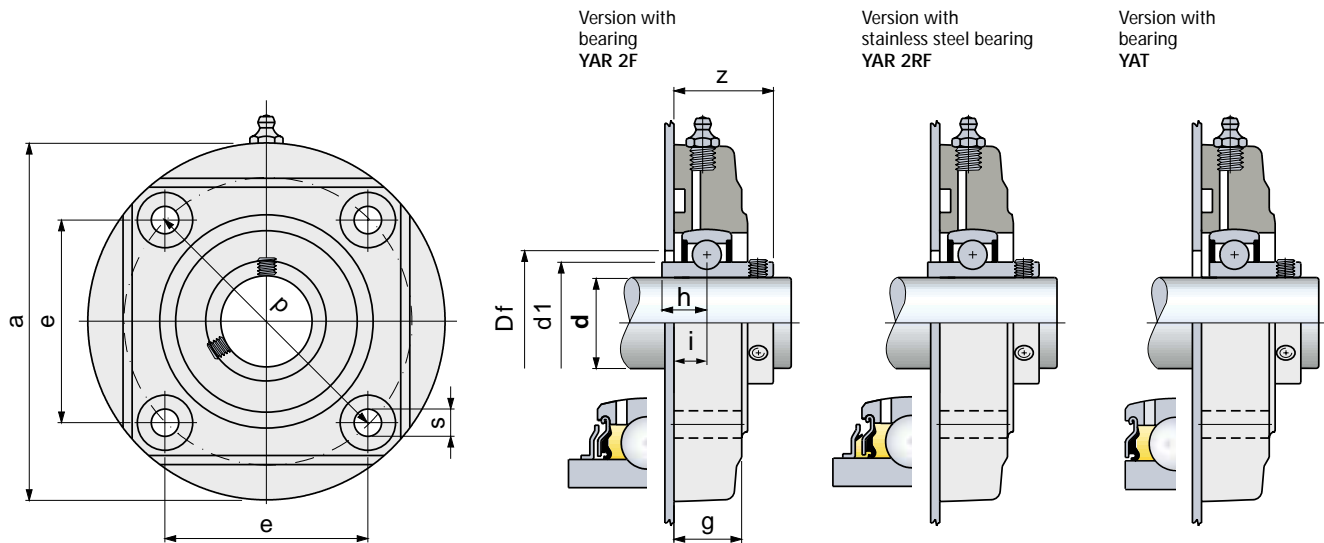
■ Components and Spare parts



Ø d mm	Seal	Base unit	Closed cover supplied with seal	Open Cover supplied with seals	Ball type grease nipple
Code					
<b>PA FV polyamide housing</b>					
35	641111	681822	603772	603792	64437
<b>PP FV polypropylene housing</b>					
35	641111	681832	603772	603792	63617



- Grub screws shaft locking
- Version with bearing YAR 2F  
The double ring guarantees maximum protection against dust and non-corrosive substances.
- Version with stainless steel bearing YAR 2RF  
AISI 420 stainless steel bearing with 2 rubberised rings, provides excellent seal against humidity, steams, liquids, medium corrosive chemical agents. Maximum load ability is inferior.
- Version with bearing YAT  
The rubberised ring guarantees maximum protection against dusts.
- Material  
Polyamide PA FV guarantees maximum strength and high-temperature resistance.



Ø d mm	Series	Housing material	Dimensions in mm										Bore in frame Df mm	Bearing	Weight Kg
		Polyamide PA FV Standard Flange (black)	e	a	p	s	g	i	h	z	d1				
		Code													
<b>Version with bearing YAR 2F</b>															
35	UCFC 207	<b>60752</b>	77,8	137	110	11	26	12,3	17,5	37,7	46,1	50	YAR 207 2F	0,75	
<b>Version with stainless steel bearing YAR 2RF</b>															
35	UCFC 207	<b>646652</b>	77,8	137	110	11	26	12,3	17,5	37,7	46,1	50	YAR 207 2RF	0,75	
<b>Version with bearing YAT</b>															
35	UCFC 207	<b>681822</b>	77,8	137	110	11	26	12,3	17,5	37,7	46,1	50	YAT 207	0,75	

Packaging : 6 pieces.

■ Material

PA FV polyamide housing  
 Housing in reinforced polyamide PA FV resin (black) • Ball type nickel plated brass greasing nipple • Reinforcing bushings on mounting holes and washers in stainless steel AISI 304.

■ Continuous operating temperature

in air : - 20 to + 60°C.

■ Maximum allowed misalignment: 2°

■ Bearing

Series YAR 2F (grub screws shaft locking, chrome alloy steel, Superagriseal unit plus centrifuging ring) • Series YAR 2RF (grub screws shaft locking, stainless steel AISI 420, Superagriseal unit plus rubberised centrifuging ring) • Series YAT (grub screws shaft locking, chrome alloy steel, Superagriseal unit) • Prelubricated with lithium / calcium grease • Can be relubricated

■ Loads

Shaft dia. d mm	Bearing load YAR 2F - YAT			Bearing load YAR 2RF			Bearing unit max. static load	
	Coefficiente di carico		Carico 1) assiale max N	Coefficiente di carico		Carico 1) assiale max N	PA FV N	PA FV N
	stat. C N	stat. Co N		stat. C N	stat. Co N			
35	25500	15300	5100	21600	15300	4320	19550	23000

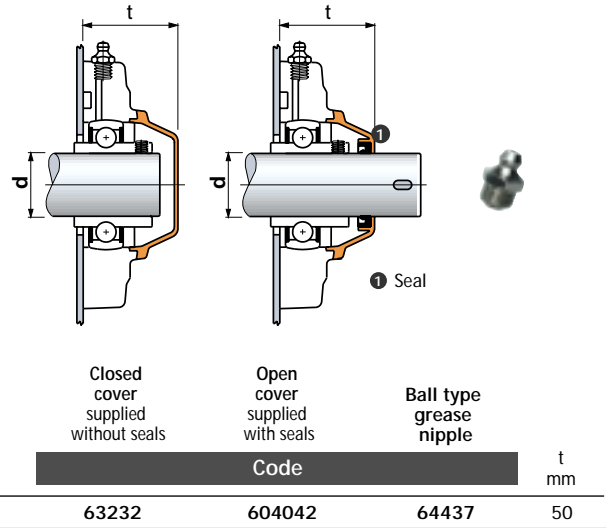
1) = Values are valid for applications with ≤ h 6 shaft tolerance. Time 0.77 values must be considered in all other cases.

■ Quick coupler for remote lubrication (accessory)



Code : 67843.  
 The system foresees semirigid Ø 4 mm tubes made out of Rilsan/Nylon. The tubes are connected to the joints by means of rapid graft.  
 Material nickel plated brass.  
 Dimension : 1/8 Gas.

■ Protection cover (accessory) and Spare parts

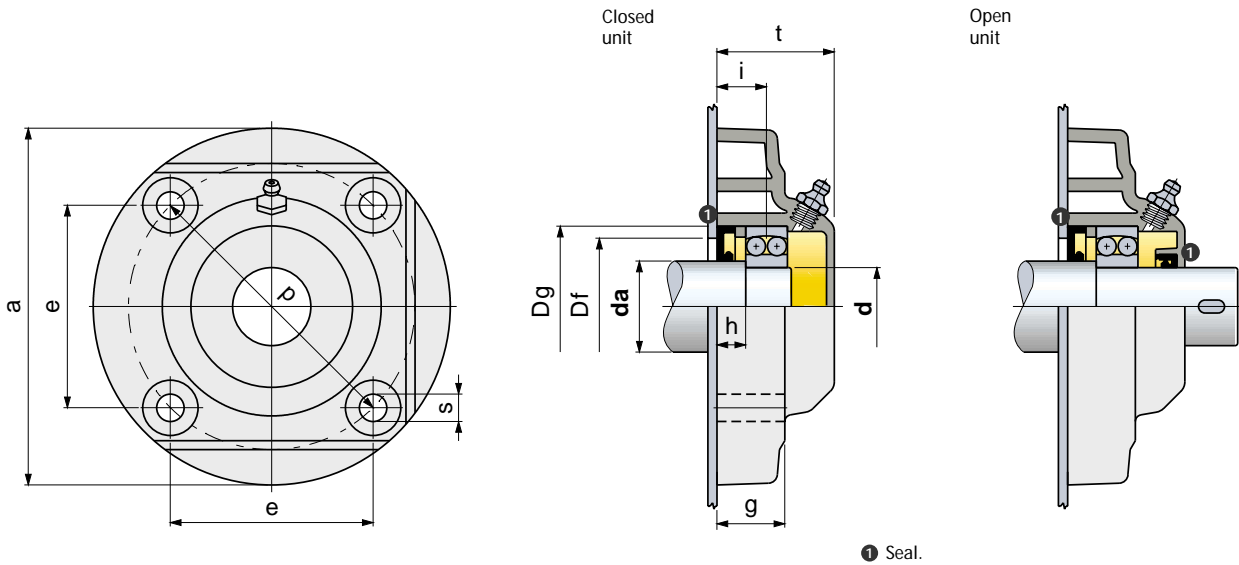


Protection cover in polypropylene PP (orange) • Seal in NBR rubber (black).





- **Waterproof housing**
- **Shaft shoulders locking**  
High axial load capacity.
- **PA FV polyamide housing**  
High mechanical and heat resistance. Proof to dust, humidity, washouts, steam, average aggressive chemical agents
- **PP FV polypropylene housing**  
Proof to highly aggressive chemical agents. Inferior loading ability.



Shaft dia. da mm	Bearing dia. d mm	Series	Housing material		Dimensions in mm										Bore in frame <sup>2)</sup> Df		Weight Kg	
			Polyamide PA FV Standard Flange (black)	Polypropylene PP FV <sup>1)</sup> Standard Flange (black)	e	a	p	s	g	i	h	t	Dg	max.	min.	Bearing		
			Code															
<b>Closed unit</b>																		
35	30	FC 1206	<b>65801</b>	<b>681842</b>	77,8	137	110	11	26	19	11	45	62	60	52	1206	0,57	
<b>Open unit</b>																		
35	30	FC 1206	<b>65891</b>	<b>681852</b>	77,8	137	110	11	26	19	11	45	62	60	52	1206	0,57	

1) = Available upon request and minimum order quantity.

2) = Dimensions Df max / Df min must be respected to ensure positive retention of the seals and to allow air bleeding during lubrication.

Packaging : 6 pieces.

■ Material

**PA FV polyamide housing**

Housing in reinforced polyamide PA FV resin (black) • Seal and O-Ring in NBR rubber (black) • Ball type nickel plated brass greasing nipple • Reinforcing bushings on mounting holes and washers in stainless steel AISI 304 .

**PP FV polypropylene housing**

Housing in reinforced polypropylene PP FV resin (black) • Seal and O-Ring in NBR rubber (black). On request supplied in Viton rubber (brown). Viton material offers high resistance to chemical agents • Ball type stainless steel AISI 316 greasing nipple • Reinforcing bushings on mounting holes and washers in stainless steel AISI 316.

■ Continuous operating temperature

in air : - 20 to + 60°C.

■ Maximum allowed misalignment: 2°

■ Bearing

Series 1200 self aligning ball bearing • Chrome alloy steel • Supplied without grease • To be prelubricated with lithium / calcium grease during first installation.

■ Loads

Shaft dia. da mm	Bearing dia. d mm	Bearing load		Bearing unit max. static load					
		Load coefficient dyn. C N	Load coefficient stat. Co N	←		←		→	
				PA FV N	PP FV N	PA FV N	PP FV N	PA FV N	PP FV N
35	30	15600	4650	17250	11500	17250	11500	23000	12650

■ Quick coupler for remote lubrication (accessory)



Code : 67843.

The system foresees semirigid Ø 4 mm tubes made out of Rilsan/Nylon. The tubes are connected to the joints by means of rapid graft.  
Material nickel plated brass.  
Dimension : 1/8 Gas.

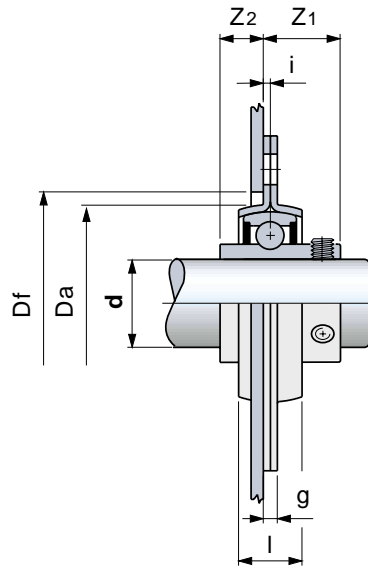
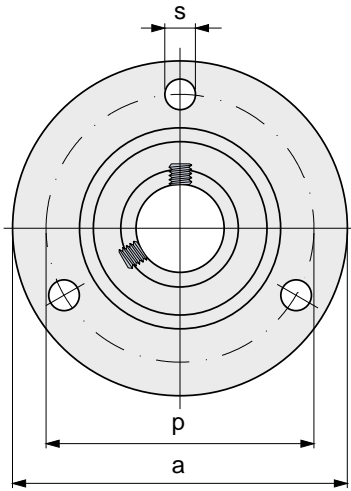
■ Spare parts



Shaft dia. da mm	Seal		Ball type grease nipple	
	housing in PA FV	housing in PP FV	housing in PA FV	housing in PP FV
	Code			
35	603682	603682	64437	63617



- Stainless steel AISI 304 flange
- Stainless steel bearing YAR 2RF  
AISI 420 stainless steel bearing with 2 rubberised rings, provides excellent seal against humidity, steams, liquids, medium corrosive chemical agents.
- Load capacity  
The pressed steel flanged support is suitable for light duties.



Ø d mm	Series	Housing material		Dimensions in mm							Bore in frame <sup>2)</sup> Df	Bearing	Weight Kg	
		Stainless steel AISI 304	Code	p	a	s	g	i	l	Z1				Z2
25	SBF 205	Stainless steel AISI 304	604562	76	95	8,7	4	2	18	21,8	12,3	60	YAR 205 2RF	0,35

Packaging : 4 pieces.

### ■ Material

Pressed stainless steel AISI 304 flanges.

### ■ Continuous operating temperature

in air : - 20 to + 60°C.

### ■ Maximum allowed misalignment: 5°

### ■ Bearing



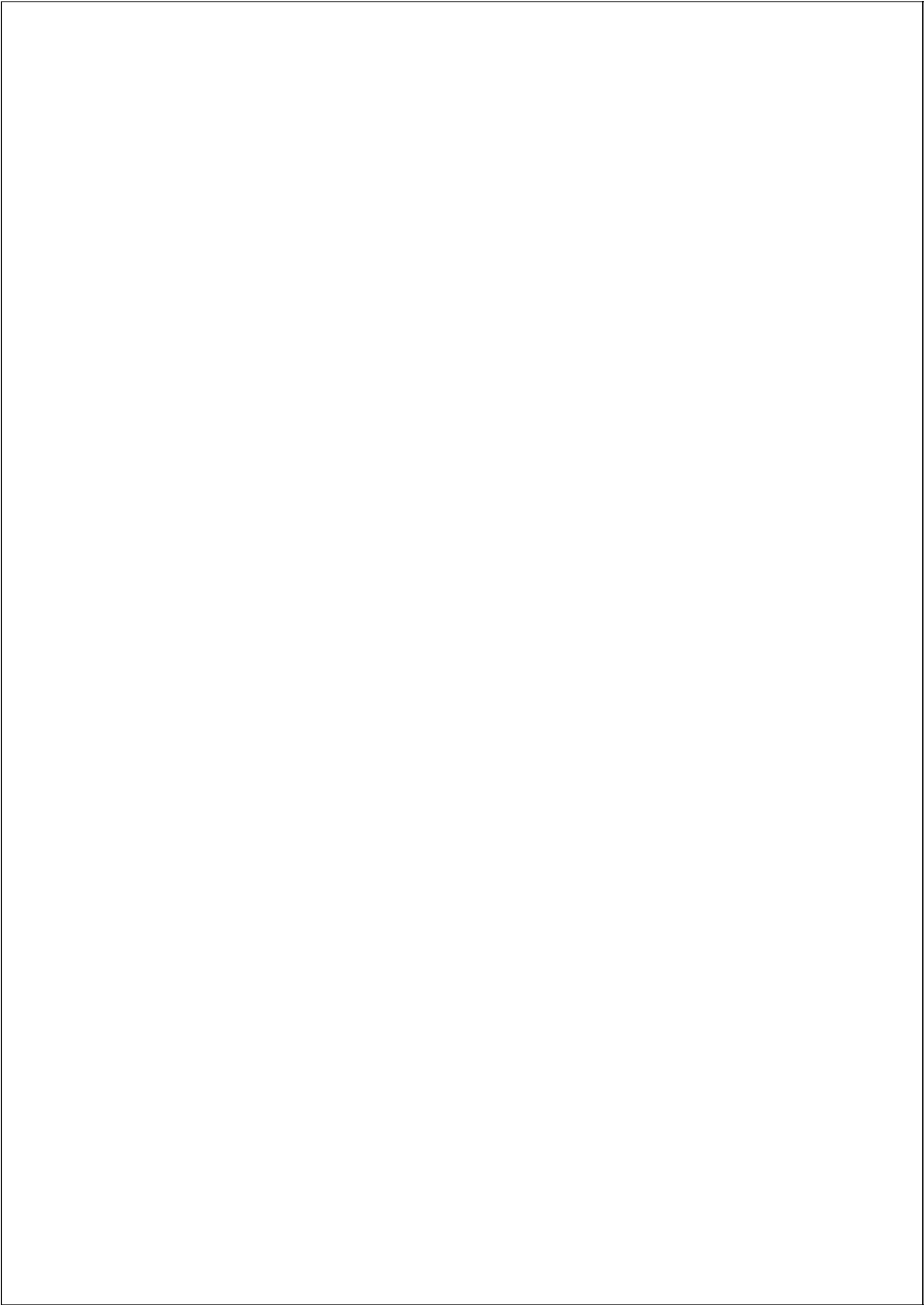
Series YAR 2RF (grub screws shaft locking, stainless steel AISI 420, Superagriseal unit plus rubberised centrifuging ring) • Prelubricated with lithium / calcium grease • Can be relubricated.

### ■ Loads

Shaft dia. d mm	Bearing load	
	Load coefficient	
	dyn. <sup>1)</sup> C N	stat. Co N
25	11900	7800

1) = Values are valid for applications with ≤ h 6 shaft tolerance. Time 0.77 values must be considered in all other cases.





	Pag.
<b>Bearings</b>	
• Bearings with grub screw locking system	44
• Bearings with self locking eccentric collar	44
• Self aligning ball bearings, holding by shoulders on shaft	45
• Seals	45
• Tolerances	44-45
• Maximum velocities	45
• Axial load capacities	45
<b>Calculation data</b>	
• Definition of bearing dimensions	46
• Calculation method for self-aligning bearings	46
• Life	46
• Life expectation calculation	46
• Equivalent dynamic load calculation	47
• Static load capacity control	48
• Equivalent static load calculation	48
<b>Shaft tolerances</b>	
• Shaft tolerances for bearings with grub screws or eccentric collar locking system	49
• Shaft tolerances for bearings with shoulders type holding system	49
<b>Lubrication</b>	
• Prelubrication	50
• Lubrication grease	50
• Relubrication	50
• Relubrication intervals	50
<b>Mounting</b>	
• Mounting recommendations	51
• Bearing locking by grub screws	51
• Bearing locking by eccentric collar	51
• Installation/removal of covers	51
<b>Resistance against chemical agents</b>	52-53

Prelubricated with long lasting lithium/calcium grease • Can be rilubricated

d mm	Bearing type	Dimensions in mm							Grub screws	Boring tol.		Load coefficient		Fatigue limit load Pu N	Weight Kg
		d1	D	B	C	s	G	r <sub>1</sub> , r <sub>2</sub> min.		Plus μm	Min. μm	dyn. C N	stat. Co N		
20	YAT 204	28,2	47	25,5	14	7,2	4,5	0,6	M6 x 0,75	+ 18	0	9800	6550	196	0,11
25	YAT 205	33,7	52	27,2	15	7,7	5	0,6	M6 x 0,75	+ 18	0	10800	7800	232	0,14
30	YAT 206	39,7	62	30,2	18	9,2	5	0,6	M6 x 0,75	+ 18	0	15000	11200	335	0,23
35	YAT 207	46,1	72	33	19	9,7	6	1	M6 x 0,75	+ 21	0	19600	15300	455	0,31
40	YAT 208	51,8	80	36	21	10,7	8	1	M8 x 1	+ 21	0	23600	19000	560	0,43

Chrome alloy steel.

d mm	Bearing type	Dimensions in mm							Grub screws	Boring tol.		Load coefficient		Fatigue limit load Pu N	Weight Kg
		d1	D	B	C	s	G	r <sub>1</sub> , r <sub>2</sub> min.		Plus μm	Min. μm	dyn. C N	stat. Co N		
20	YAR 204 2F	28,2	47	31	14	12,7	4,5	0,6	M6 x 0,75	+ 18	0	9800	6550	196	0,14
25	YAR 205 2F	33,7	52	34,1	15	14,3	5	0,6	M6 x 0,75	+ 18	0	10800	7800	232	0,17
30	YAR 206 2F	39,7	62	38,1	18	15,9	5	0,6	M6 x 0,75	+ 18	0	15000	11200	335	0,28
35	YAR 207 2F	46,1	72	42,9	19	17,5	6	1	M6 x 0,75	+ 21	0	19600	15300	455	0,41
40	YAR 208 2F	51,8	80	49,2	21	19	8	1	M8 x 1	+ 21	0	23600	19000	560	0,55

Chrome alloy steel.

d mm	Bearing type	Dimensions in mm							Grub screws	Boring tol.		Load coefficient		Weight Kg
		d1	D	B	C	s	G	r <sub>1</sub> , r <sub>2</sub> min.		Plus μm	Min. μm	dyn. C N	stat. Co N	
20	YAR 204 2RF	28,2	47	31	14	12,7	4,5	0,6	M6 x 0,75	+ 18	0	8300	6550	0,14
25	YAR 205 2RF	33,7	52	34,1	15	14,3	5	0,6	M6 x 0,75	+ 18	0	9150	7800	0,18
30	YAR 206 2RF	39,7	62	38,1	18	15,9	5	0,6	M6 x 0,75	+ 18	0	12500	11200	0,29
35	YAR 207 2RF	46,1	72	42,9	19	17,5	6	1	M6 x 0,75	+ 21	0	16600	15300	0,42
40	YAR 208 2RF	51,8	80	49,2	21	19	8	1	M8 x 1	+ 21	0	20000	19000	0,56

Stainless steel AISI 420.

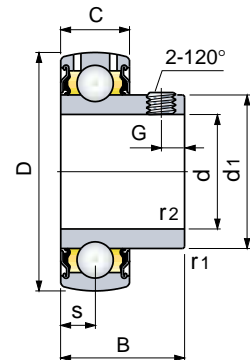
Prelubricated with long lasting lithium/calcium grease • Can be rilubricated • Higher resistance to vibrations • Suitable for single directional travel (cannot reverse the sense of rotation) • Locking of the bearing is achieved by rotating the eccentric collar. The grub screw holds the collar and avoids rotation

d mm	Bearing type	Dimensions in mm							Grub screws	Boring tol.		Load coefficient		Fatigue limit load Pu N	Weight Kg
		d2	D	B1	C	s	G	r <sub>1</sub> , r <sub>2</sub> min.		Plus μm	Min. μm	dyn. C N	stat. Co N		
20	YET 204	33	47	31	14	7,5	5	0,6	M6 x 0,75	+ 18	0	9800	6550	196	0,16
25	YET 205	37,4	52	31	15	7,5	5	0,6	M6 x 0,75	+ 18	0	10800	7800	232	0,18
30	YET 206	44,2	62	35,7	18	9,0	6	0,6	M8 x 1	+ 18	0	15000	11200	335	0,30
35	YET 207	55,6	72	38,9	19	9,5	7	1	M10x1,25	+ 21	0	19600	15300	455	0,49
40	YET 208	60,3	80	43,7	21	11	7	1	M10x1,25	+ 21	0	23600	19000	560	0,62

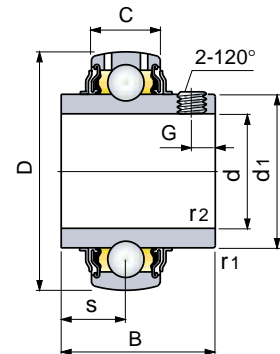
Chrome alloy steel.

## ■ Bearings with grub screw locking system

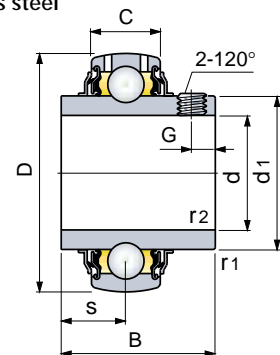
Series YAT



Series YAR 2F

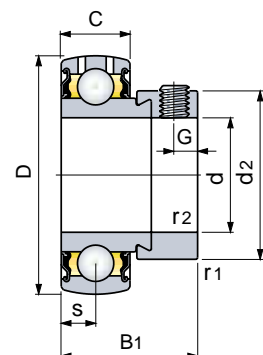


Series YAR 2RF  
stainless steel



## ■ Bearings with self locking eccentric collar

Series YET



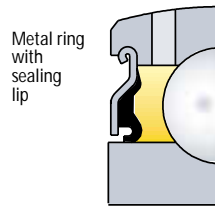
## Seals

**Series YAT - YET.** The system consists of a metallic ring fitted with a low friction rubber sealing lip.

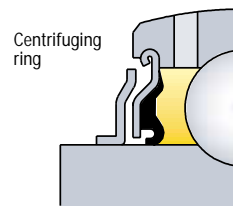
**Series YAR 2F.** The system is further equipped with a metallic protection ring providing a centrifugal sealing action.

**Series YAR 2RF inox.** The upper lip of the centrifuging ring together with the grease trapped between the base seal and the ring itself guarantees maximum sealing capacity.

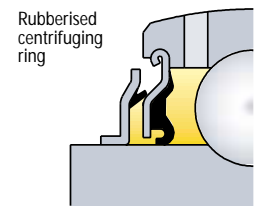
Series YAT - YET



Series YAR 2F



Series YAR 2RF inox



## Maximum velocities

The table indicates the values for YAT, YET, YAR 2F series bearings • Stainless steel bearings of the YAR 2RF/HV series (rubberised centrifuging ring) must not be operated at velocities in excess of 60% of the values indicated • The maximum velocity is dependant of the shaft tolerances. Higher tolerances require lower speed

Int. dia. bearing d mm	Shaft tolerance				
	h 6	h 7	h 8	h 9	h 11
	Speed (RPM)				
20	8500	5300	3800	1300	850
25	7000	4500	3200	1000	700
30	6300	4000	2800	900	630
35	5300	3400	2200	750	530
40	4800	3000	1900	670	480

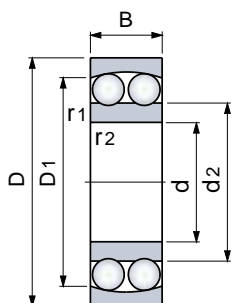
## Axial load capacities

The bearing locking systems by grub screws/eccentric collars, allow axial loads up to 20% of the dynamic load coefficient (only with non hardened shafts and grub screws tightened as recommended) • For bearings of the YAT, YET, YAR 2F, YAR 2RF, series it is not recommended to exceed the value of:  $0,25 \cdot C$

## Self aligning ball bearing holding by shoulders on shaft

The bearings have double row of balls running on a spherical outer race This configuration renders the bearing self aligning • The bearings are supplied without sealing units • They are held into position by shoulders on the shaft

Series 1200



d mm	Bearing type	Dimensions in mm					r <sub>1</sub> , r <sub>2</sub> min.	Boring tol. Plus Min. µm µm	Load coefficient		Fatigue limit load Pu N	Revolu- tions RPM	Weight Kg
		D	B	d2	D1	dyn. C N			stat. Co N				
20	1204	47	14	28,9	41	1	0 - 10	12700	3400	176	15000	0,12	
25	1205	52	15	33,3	45,6	1	0 - 10	14300	4000	204	13000	0,14	
30	1206	62	16	40,1	53	1	0 - 10	15600	4650	240	10000	0,22	
35	1207	72	17	47	62,3	1,1	0 - 12	19000	6000	305	9000	0,32	
40	1208	80	18	53,6	68,8	1,1	0 - 12	19900	6950	355	8500	0,42	



The bearing dimensions, for a given application, should be chosen on the basis of the loads to be supported, expected service life and reliability. In most cases the reason for choosing a bearing is the fact that the shaft has already been sized during the design of the plant.

The calculation procedure for self-aligning bearings consists in ensuring a satisfactory operating life of the unit:

- 1) - The nominal service life is calculated using the formulas indicated below, keeping in mind the type of stress on the bearing (dynamic or static).
- 2) - The nominal life of the bearing should reflect the expected service life of the plant as indicated in Table 1 hereunder.

The dimensioning of the bearing requires the knowledge of the appropriate life expectancy of the project in relation to the specific application. This depends on the type of plant, daily/yearly working hours and on the required reliability. In the absence of practical experience Table 1 gives our recommendations of the average expected plant life under various conditions.

**Table 1** - Recommended plant expected life  $L_{10h}$  for MB support bearings

Plant type	Plant expected life $L_{10h}$ hours
Seasonal Operation plants	4000 ÷ 8000
Daily operated plant, 8 hours/day, not completely utilised	10000 ÷ 20000
Daily operated plant, 8 hours/day, completely utilised	20000 ÷ 30000
Daily operated plant, 24 hours/day	40000 ÷ 80000

## Dynamically stressed bearings

Bearings which rotate under load are considered dynamically stressed (one ring of the bearing makes one full rotation against the other). In most cases, self-aligning supports are dynamically stressed.

The service life of a bearing is expressed in the number of revolutions or hours of operations which can be expected without breakdown (erosion or laminations of the bearing revolving parts).

The calculating procedure for nominal duration is valid whatever the type of bearing.

$$L_{10} = \left(\frac{C}{P}\right)^3 \quad \text{Life in Millions revolutions}$$

When bearings rotate at constant speed it is more practical to calculate the life in number of hours

$$L_{10h} = \frac{16666}{n} \cdot \left(\frac{C}{P}\right)^3 \quad \text{Life in hours}$$

$L_{10}$  = life in millions of revolutions.

$L_{10h}$  = life in hours.

$C$  = dynamic load coefficient (N). Values are indicated in the support dimensional tables.

$P$  = equivalent dynamic load (N). See calculation formula on Table 2.

$n$  = revolutions (RPM).

In the majority of cases, for MB bearings, it is sufficient to calculate  $L_{10}$ ,  $L_{10h}$  using the formula indicated above. The new theory of life calculation permits to establish the correct life expectancy keeping into consideration the effects of lubrication, pollution of solid particles and of the fatigue limit load  $P_u$  (values are reported in the bearing tables).

The calculation of the correct expected life requires therefore the assistance of the technical commercial staff.

## ■ Bearing dimensioning

## ■ Calculation procedures for self-aligning bearings

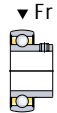
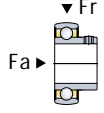
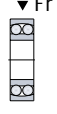
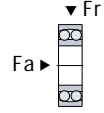
## ■ Service life

## ■ Expected life calculation formula

## ■ Correct expected life

## Equivalent dynamic load P calculation

Table 2 - Equivalent dynamic load P calculation

Bearing type	Load direction on the bearing	Equivalent dynamic load P (N) calculation formula
YAT YET YAR 2F YAR 2RF		$P = Fr$
		$P = X \cdot Fr + Y \cdot Fa$
1200		$P = Fr$
		$P = Fr + Y_1 \cdot Fa$ with $\frac{Fa}{Fr} \leq e_1$ $P = 0,65 \cdot Fr + Y_2 \cdot Fa$ with $\frac{Fa}{Fr} > e_1$

- P = equivalent dynamic load (N).
- Fr = radial load acting on the bearing (N).
- Fa = axial load acting on the bearing (N).
- x, Y = load factors. See Table 3.
- e<sub>1</sub>, Y<sub>1</sub>, Y<sub>2</sub> = factors. See Table 4.

Table 3 - Load factors x, y

Ratio $\frac{Fa}{Co}$	e	With: $\frac{Fa}{Fr} \leq e$		With: $\frac{Fa}{Fr} > e$	
		x	y	x	y
0,025	0,22	1	0	0,56	2
0,04	0,24	1	0	0,56	1,8
0,07	0,27	1	0	0,56	1,6
0,13	0,31	1	0	0,56	1,4
0,25	0,37	1	0	0,56	1,2
0,5	0,44	1	0	0,56	1

Table 4 - Factors e<sub>1</sub>, Y<sub>1</sub>, Y<sub>2</sub>, Y<sub>0</sub>

Int. dia. bearing mm	e <sub>1</sub>	Y <sub>1</sub>	Y <sub>2</sub>	Y <sub>0</sub>
20	0,30	2,1	3,3	2,2
25	0,28	2,2	3,5	2,5
30	0,25	2,5	3,9	2,5
35	0,23	2,7	4,2	2,8
40	0,22	2,9	4,5	2,8

Co = Static load coefficient (N). The values are indicated in the support dimensional tables.

## Operating conditions coefficients

It should be common practice to include operational factors when calculating bearing dimensions to allow for load variations which may happen during running of the plant. The coefficients given here under are indicative only and are based on actual operational experience.

- With steady loads/light impacts : multiply the equivalent dynamic load P by: 1,2 ÷ 1,5
- With loads and medium impacts : multiply the equivalent dynamic load P by: 1,7 ÷ 2,0

## Statically stressed bearings

In rolling-contact bearing technology the condition of static load is considered to exist when:

- The bearing does not rotate and is subjected to permanent loads or intermittent ones (impacts).
- The bearing is subjected to loads and slow oscillating movements.
- The bearing rotates under load at a very low speed and for short periods.
- The bearing rotates under load and must withstand strong impacts acting in the course of one revolution.

The static safety coefficient  $f_s$  must not exceed the recommended values given in Table 5 in order to obtain a satisfactory performance of the bearings.

Coefficient  $f_s$  gives the safety margin against excessive permanent deformation of the revolving parts of the bearing.

$$f_s = \frac{C_0}{P_0}$$

$f_s$  = static safety coefficient.

$C_0$  = static load coefficient (N). The values are given in the support dimensional tables.

$P_0$  = equivalent static load (N). See calculation formula given below.

Table 5 - Static safety coefficient  $f_s$  for MB bearings

Type of operation	Revolving bearings			Non revolving bearings
	Noise level not important	Normal noise level operation	Low noise level operation	
Smooth operation without vibration	0,5	1	2	0,4
Normal operation	0,5	1	2	0,5
Impact loads operation	$\geq 1,5$	$\geq 1,5$	$\geq 2$	$\geq 1$

Bearing type	Load direction on the bearing	Equivalent dynamic load P (N) calculation formula
YAT YET YAR 2F YAR 2RF		$P_0 = 0,6 \cdot Fr + 0,5 \cdot Fa$ If $P_0 < Fr$ , then assume $P_0 = Fr$ .
1200		$P_0 = Fr + Y_0 \cdot Fa$

$P_0$  = equivalent static load (N).

$Fr$  = radial load on the bearing (N).

$Fa$  = axial load on the bearing (N).

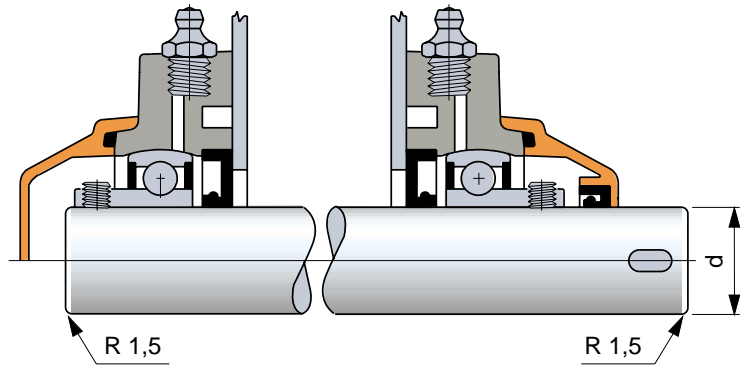
$Y_0$  = see table 4, page 47.

## Static load capacity control

## Equivalent static load $P_0$ calculation

## ■ Tolerances for grub screws / eccentric collar locked bearings

- The tables indicate shaft diameter tolerances.
- Shaft ends must be rounded off in order to:
  - ease assembly and avoid bearing jamming.
  - avoid damages to the rubber parts of the sealing units.
- The shaft surface for the portion in contact with the sealing gaskets must be smooth and free of defects (scratches etc.)



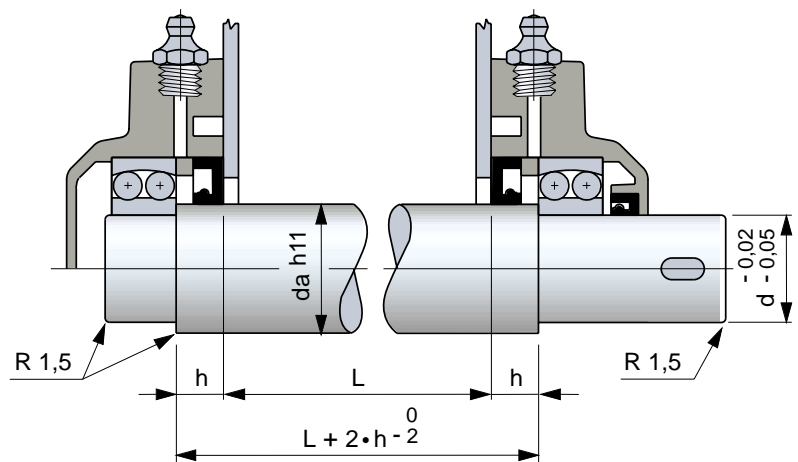
### ISO shaft tolerance

Shaft dia. d mm	Heavy loads High speed h 6		Normal operation h 7		Light loads Low speed h 8		Simple applications					
	plus	min.	plus	min.	plus	min.	h 9		h 10		h 11	
							plus	min.	plus	min.	plus	min.
20 ÷ 30	0	- 13	0	- 21	0	- 33	0	- 52	0	- 84	0	- 130
35 ÷ 40	0	- 16	0	- 25	0	- 39	0	- 62	0	- 100	0	- 160

Tolerances in  $\mu\text{m}$

## ■ Tolerances for shaft shoulders locked bearings

- Shaft ends must be rounded off in order to:
  - ease assembly and avoid bearing jamming.
  - avoid damages to the rubber parts of the sealing units.
- The shaft surface for the portion in contact with the sealing gaskets must be smooth and free of defects (scratches etc.).
- The mounting shaft/bearing is free to facilitate assembly. For heavy radial loads conditions it is recommended a slightly tight mounting.



h values are given in the support dimensional tables



All self-aligning bearings are supplied factory lubricated.

## Warning

The first lubrication must be carried out only for bearings of the series FL - F - FC held by the shaft shoulders.

Bearings are prelubricated with long lasting lithium/calcium grease.

Technical data	NLGI consistency :	2
	Emulsifier :	lithium/calcium
	Base oil :	mineral
	Base oil viscosity :	165 mm <sup>2</sup> /s at 40°C
	Operating temperature :	- 20°C to + 120°C
	Water resistance :	Recommended
	Antioxidant properties :	Recommended

All self-aligning bearing units are equipped with a grease nipple of the ball type to allow periodical relubrication of the bearing.

## Warning

- Do not grease at first assembly.
- The first lubrication must be carried out only for bearings of the series FL - F - FC held by the shaft shoulders.
- Stainless steel pressed metal supports of the series SBF are not relubricatable.
- Use only grease of same characteristics as indicated.
- Clean greasing nipple before each greasing operation.
- Inject grease slowly until it comes out from the bearing. Keep the bearing rotating and do not apply excessive pressure which could damage the sealing units.
- More frequent greasing operations with smaller quantities of grease are to be preferred.

Relubrication intervals vary according to actual operating conditions. Very often during operation, load, speed, temperature and ambient conditions (humidity, dust) may vary making it difficult to establish exact rules. Experience once again gives the best answer:

- Light operating conditions : relubricate every 6 months.
- Normal operating conditions : relubricate every 1÷ 3 months.
- Heavy operating conditions : relubricate every 2 weeks.

## ■ Prelubrication

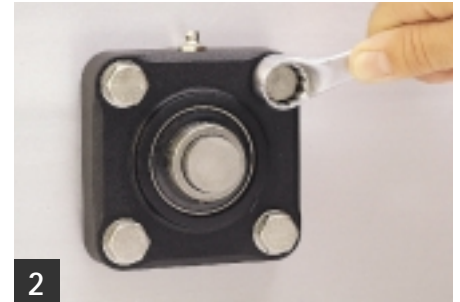
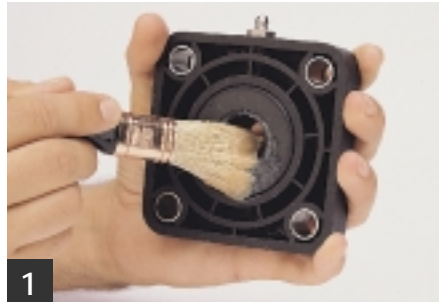
## ■ Lubricating grease

## ■ Relubrication

## ■ Relubrication intervals

## ■ Assembly instructions

- 1 -** With waterproof bearings the rubber sealing units must be greased before mounting to avoid initial dry running on the shaft. The grease must fill only the space in between the two sealing lips.
- 2 -** The bearing must be locked onto the shaft after the support mounting flange has been fully tightened. This is necessary to allow the bearing to assume its correct alignment on the shaft without undue axial stresses. Always tighten the screws diagonally (max. tightening couple for M10 screw = 50 Nm).



## ■ Locking of the bearing by grub screws

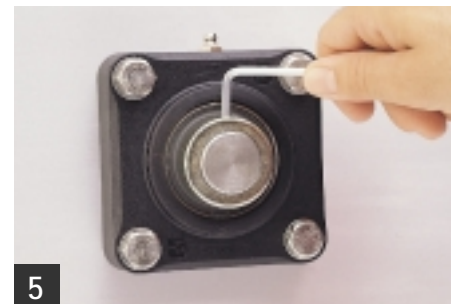
- 3 -** The table gives the recommended maximum tightening couples for the grub screws and the size of the hexagonal to use.



Int. dia. bearing mm	Sc. driver size mm		Max. tightening couple Nm	
	Bearings YAT - YAR	Bearings YET	Bearings YAT - YAR	Bearings YET
20	3	3	4	4
25	3	3	4	4
30	3	4	4	6,5
35	3	5	4	16,5
40	4	5	6,5	16,5

## ■ Locking of the bearings by eccentric collar

- 4 -** Tighten the collar by turning it with a punch in the same direction as the rotation of the shaft.
- 5 -** Hand tighten the grub screw. The screw driver dimension and the tightening couple are given in the table above (Ref. YET series bearings).



## ■ Assembly/removal of the protection cover

- 6 - Assembly.** The sealing unit of open end covers must be greased to avoid initial dry running on the shaft. The grease must fill only the space in between the two sealing lips.
- 7 - Removal.** Insert a screw driver into the groove provided for and force the cover out.



CHEMICAL AGENT	POLYAMIDE PA		POLYPROPYLENE PP		STAINLESS STEEL AISI 304		STAINLESS STEEL AISI 316		NICKEL PLATED BRASS		NBR RUBBER		VITON RUBBER	
	Conc.%	23° C	Conc.%	23° C	Conc.%	23° C	Conc.%	23° C	Conc.%	23° C	Conc.%	23° C	Conc.%	23° C
ACETIC ACID	10	-	40	+	20	+	50	+	/	-	20	-		
ACETONE	100	+		+	50	+	25	+	+	-		-		
ALUMINIUM CHLORIDE	10	+				-	/			+	Sat.	+		
AMMONIA	10	+	30	+	50	+	100	+	-	/	/			
AMMONIA CONC.		+		+						-				
AMMONIUM CHLORIDE	10	+			10	/	/			+	Sat.	+		
AMYL ALCOHOL	100	+		+		+	+					+		
ANILINE	/		100	+	3	+				-				
BEER		+		+		+			+	+		+		
BENZENE		+		+	70	/				-				
BENZOIC ACID	Sat.	/	Sat.	+	100	/	100	+		+		+		
BENZOL	100	+		/		+		+	+	-	/			
BORIC ACID	10	+	Sat.	+	100	/	Sat.	+		+	Sat.	+		
BRINE		/	Sat.	+						+				
BUTTER		+		+		+			+	+		+		
BUTYL ALCOHOL	100	+		+		+		+		/		+		
BUTYRIC ACID		-	100	+	5	+				-				
CALCIUM CHLORIDE	10	+	50	+	10	-	/		+	+	Sat.	+		
CARBON SULPHIDE	100	+		+		+		+		-		+		
CARBON TETRACHLORIDE		+		-	10	-		+	+	-		+		
CAUSTIC SODA	10	+	52	+		+				/	45	+		
CHEESE		-		+						+				
CHLORINATED WATER		+		-		-				-				
CHLOROFORM	100	-		/	100	+		+	+	-		+		
CHOCOLATE		-								+				
CITRIC ACID	10	/	10	+	5	+	25	+	-	+	Sat.	+		
CUPRIC SULPHATE	10	+	Sat.	+	5	+	100	+		+	Sat.	+		
DISTILLED WATER		+		+		+				+				
ETHYL ACETATE	100	+		+	100	/				-		-		
ETHYL ALCOHOL	96	+	96	+	10	+		+	+	/		+		
ETHYL CHLORIDE	100	+		-		+	/		/	-				
ETHYL ETHER	100	+		+						-		-		
FERRIC CHLORIDE	10	+		+	20	-	/			+	Sat.	+		
FOOD FATS		+		+		+				+		+		
FOOD OILS		+		+		+				+		+		
FORMALDEHYDE	30	+	40	+	100	+			+	-	40	+		
FORMIC ACID	10	-	100	+	5	/			+	-				
FREON 12		+				+				+		/		
FRESH WATER		+		+		+			+	+				
FRUIT JUICES		+		+		+				+				
GASOLINE		+		/		+		+	/	/		+		
GLYCERINE		+		+		+		+	+	+		+		
HYDROCHLORIC ACID	10	-	30	+		-	1	+	/	10	/	37	+	
HYDROCHLORIC ACID	2	-	2	+						2	/			
HYDROFLUORIC ACID	40	-	40	+		-				65	-	48	+	
HYDROGEN PEROXIDE	3	-	30	+	30	+		+	/	80	-	90	+	
IODINE		-		+						/				
LACTIC ACID	10	+	20	+	5	+	10	+	-	+		+		
LINSEED OIL		+		+	100	+		+		+		+		
MAGNESIUM CHLORIDE	10	+	Sat.	+	5	+	/			+	Sat.	+		
MERCURY		+	100	+	100	/		+	/	+		+		
METHYL ALCOHOL	100	+		+	100	/		+	+	/	/			
METHYLENE CHLORIDE	100	+		/		/		/		-	/			
MILK		+		+		+			+	+		+		
MINERAL OILS		+		+		+		+		+		+		
MUSTARD		-		+						+				
NITRIC ACID	10	-		+	10	+	65	+		10	-	70	+	
OLEIC ACID	100	+		+	100	/			+	/	/			
PARAFFIN		+	100	/		+				+				
PETROLEUM		+	100	/		+			+	+		+		
PETROLEUM ETHER		+		+		+		+	+	-				

CHEMICAL AGENT	POLYAMIDE PA		POLYPROPYLENE PP		STAINLESS STEEL AISI 304		STAINLESS STEEL AISI 316		NICKEL PLATED BRASS		NBR RUBBER		VITON RUBBER	
	Conc.%	23° C	Conc.%	23° C	Conc.%	23° C	Conc.%	23° C	Conc.%	23° C	Conc.%	23° C	Conc.%	23° C
PHENOL		-		+	10	+		+				-		+
PHOSFORIC ACID	10	-	85	+	10	-	50	/		-	20	/	85	+
POTASSIUM HYDROXIDE	10	+			50	+	50	+				/		+
SEA WATER		+		+		+		+		+		+		+
SILICONE OIL		+		+								+		+
SILVER NITRATE		+	20	+	60	/						/		+
SOAP AND WATER		+		+		+						+		
SODIUM CARBONATE	10	+	Sat.	+	5	+	100	+				+		+
SODIUM CHLORIDE	10	+	Sat.	+	5	+		/		+		+	Sat.	+
SODIUM HYDROXIDE	10	+	30	+		-				+		/		
SODIUM HYPOCHLORITE		+	20	+		-						-	5	+
SODIUM SILICATE		+			100	+	100	+				+		
SODIUM SULPHATE	10	+	Sat.	+	5	+	100	+				+		+
SOFT DRINKS		+		+		+				+		+		
SUDS		+		+								+		+
SULPHURIC ACID	10	-	98	+	10	-	100	+		+		-	95	+
TARTARIC ACID		+	10	+	10	+	50	+		-		+		+
TETRALINE		+		-								-		+
TINCTURE OF IODINE		-		+						-		/		
TRANSFORMER OIL		+		/								+		+
TRICHLOROETHYLENE		/		/		+				+		-		+
TURPENTINE		/		-		+						-		
VASELINE		+		+								+		+
VEGETABLE JUICES		+		+		+						+		
VEGETABLE OILS		+		+		+						+		
VINEGAR		+		+		+				+		/		-
WHISKY		+		+		+				+		+		+
WINE		+		+		+				+		+		+
XILOL		+		-		+				/		-		+
ZINC CHLORIDE	10	/	20	+	10	-		/				+	Sat.	+

Abbreviations:  
Sat. = saturated.

### Legend..

- + = Good resistance.
  - / = Fairly good resistance (limited use depending on working conditions di esercizio).
  - = Poor resistance (not recommended).
- N.B. Where tests have not been carried out the spaces are left blank.

### The data shown in this table..

are taken from laboratory tests, performed on unstrained test samples. It should be considered as purely indicative since material behaviour under real working conditions depends on different factors: temperature, concentration of the chemical agent, quick or long-lasting effect of the chemical agent.

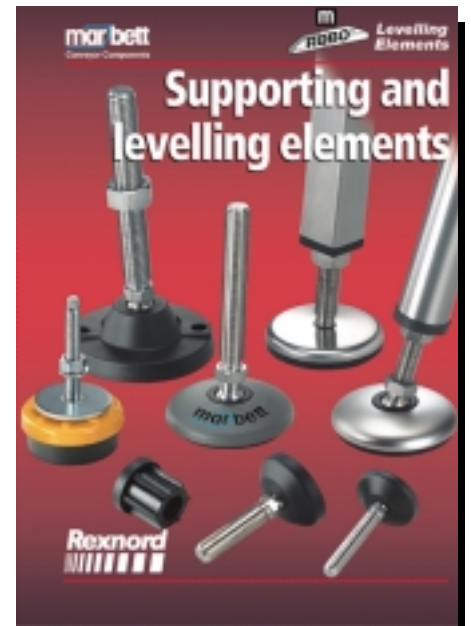
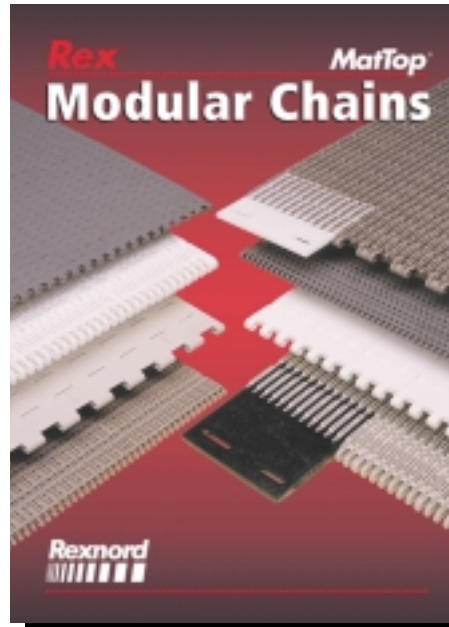
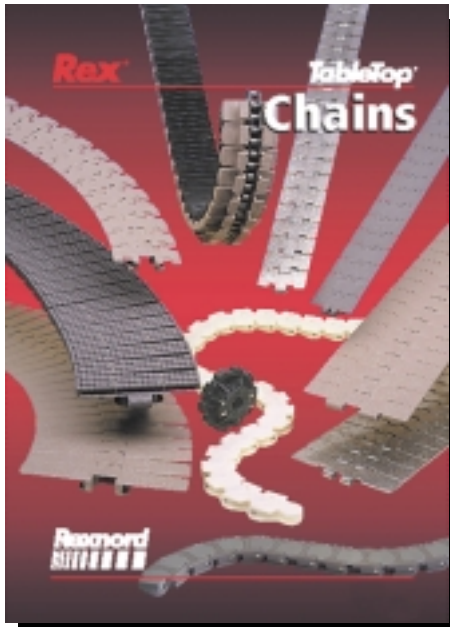


# Codes Index

Code	Page	Code	Page	Code	Page	Code	Page	Code	Page	Code	Page
60722	8	603682	13-21-39	651272	6	663842	27	667682	32	677802	26
60752	36	603722	13-21	651282	6	663852	27	667692	32	677812	26
61719	8	603742	13	651292	6	663862	27	667702	32	677822	26
61819	6	603772	35	651302	6	663872	27	667712	32	677832	26
61829	6	603792	35	651312	6	663882	27	667722	32	677842	26
62329	7-8	604042	37	651372	6	663892	27	667732	32	677852	26
62349	7-8	604562	40	651382	6	663902	27	667742	32	677862	26
62439	6	608941	7-15-23-27-31	651412	6	663912	28	667752	32	677872	26
62449	6	615622	10	651422	6	663922	28	667762	32	677882	26
63112	6	615632	10	651452	22	663932	28	667772	32	677892	26
63154	7-9-15-17	615642	10	651462	22	663942	28	667782	32	677902	26
	23-25-27-29-33	615652	10	651472	22	663952	28	667812	31-33	677912	26
63172	6	615662	10	651482	22	663962	28	667842	31-33	677922	26
63232	37	615672	10	651492	22	665422	27-29-31-33	667932	31-33	677932	26
63539	7-9-11-15-17	615682	11-19	651552	22	665432	27-29-31-33	667962	31-33	677942	26
	19-23-25	615692	7-11-19	651562	22	665952	28	668982	6	677952	22
63549	7-9-11-15-17	621481	6	651572	22	665962	28	668992	6	677962	22
	19-23-25	621501	6	651582	22	665972	28	669022	6	677972	22
63617	7-9-13-15-17	624772	34	651592	22	665982	28	669032	6	677982	22
	21-23-25-35-39	624782	34	653322	7-9-15-17-23	665992	28	669202	7-9	677992	22
63978	12	632141	7-11-15-19-23		25-27-29-33	666002	28	670402	10	678002	22
63988	12	632151	15-23-31	653342	7-9-15-17	666412	15-16	670412	10	678012	22
64018	6	641111	7-11-15-19		23-25	666422	15-16	670422	10	678022	22
64028	6		23-27-35	653352	7-9-15-17	666432	15-16	670432	10	678032	22
64058	8	646251	23-25		23-25	666442	7-8	670442	10	678042	22
64433	12	646261	23-25	653442	7-9-15-17-23	666452	7-8	670452	10	678052	22
64437	7-9-11-13-15	646271	23-25		25-27-29-33	666462	7-8	670792	18	678062	22
	17-19-21-23-25	646281	23	653462	7-9-15-17	666562	15	670802	18	678072	22
	35-37-39	646291	23		7-9-15-17	666572	15	670812	18	678082	22
64483	12	646301	23	653472	7-9-15-17	666582	15	670822	18	678092	22
64533	8	646492	24		23-25	666592	15	670832	18	678102	22
64573	6	646502	24	655472	15-16	666602	15	670842	18	678112	22
64623	6	646511	22	655482	15-16	666612	7	670852	18	678122	22
65801	38	646512	24	656542	26	666622	7	670862	18	678132	22
65811	12	646521	22	656552	26	666632	7	670872	18	678142	22
65891	38	646522	24	656562	26	666642	7	670882	18	678152	22
65901	12	646531	22	656572	26	666952	30	670892	18	678162	22
67843	7-9-11-13-15	646532	24	656582	26	666962	30	670902	18	678172	22
	17-19-21-23-25	646541	22	656592	26	666972	30	672371	20	678182	22
	27-35-37-39	646542	16	656752	7-8	666982	30	672381	20	678192	22
68339	20	646551	22	656902	7	666992	30	672411	14	678202	22
68349	20	646552	16	663252	26	667002	30	672421	14	678212	22
68399	14	646561	22	663262	26	667012	30	672451	16	678222	22
68409	14	646562	16	663272	26	667022	30	677472	30	678232	22
68416	7-11-15-19	646572	16	663282	26	667032	30	677482	30	678242	22
	23-27-31	646582	16	663292	26	667042	30	677492	30	678252	22
68439	16	646592	8	663302	26	667052	30	677502	30	678262	22
68465	8	646602	8	663312	26	667062	30	677512	30	678272	22
68483	20	646612	8	663322	26	667072	30	677522	30	678282	22
68493	20	646622	8	663332	26	667082	30	677532	30	678292	22
68523	14	646632	8	663342	26	667092	30	677542	30	678302	22
68533	14	646642	8	663352	26	667102	30	677552	30	678312	22
68563	16	646652	36	663362	26	667112	30	677562	30	678322	22
68876	12	648091	20	663372	26	667122	30	677572	30	678332	22
68886	12	648101	20	663382	26	667132	30	677582	30	678342	22
68916	6	648131	14	663392	26	667142	30	677592	30	678352	22
68926	6	648141	14	663402	26	667152	30	677602	30	678362	22
68956	8	648171	16	663412	26	667162	30	677612	30	678372	22
68976	20	648781	24	663422	26	667172	30	677622	30	678382	22
68986	20	648791	24	663672	27-28	667182	30	677632	30	678392	22
69016	14	648801	24	663682	27-28	667432	31-32	677642	30	678402	22
69026	14	650972	14	663692	27-28	667442	31-32	677652	30	678412	22
69056	16	650982	14	663702	27-28	667452	31-32	677662	30	678422	22
69965	7-9-15-17	650992	14	663712	27-28	667462	31	677672	30	678432	22
	23-25-27-29-33	651002	14	663722	27-28	667472	31	677682	30	678442	22
69988	12	651012	14	663732	27	667482	31	677692	30	678452	22
69998	12	651072	14	663742	27	667492	31	677702	30	678462	22
600882	7-9-15-17	651082	14	663752	27	667502	31	677712	26	678472	22
	23-25	651092	14	663762	27	667512	31	677722	26	678482	22
600892	7-9-15-17	651102	14	663772	27	667522	31	677732	26	678492	22
	23-25	651112	14	663782	27	667532	31	677742	26	678502	22
600982	23	651172	6	663792	27	667542	31	677752	26	678512	22
601052	23	651182	6	663802	27	667552	32	677762	26	678522	22
603622	7	651192	6	663812	27	667562	32	677772	26	678532	22
603642	21	651202	6	663822	27	667572	32	677782	26	678542	22
603662	13-21	651212	6	663832	27	667672	32	677792	26	678552	23-24

Code	Page	Code	Page	Code	Page	Code	Page	Code	Page
678562	23-24	679322	14	680082	15	680842	6	681602	8
678572	23-24	679332	14	680092	15	680852	6	681612	8
678582	23-24	679342	14	680102	15	680862	6	681622	8
678592	23-24	679352	14	680112	15	680872	6	681632	8
678602	23-24	679362	14	680122	15	680882	6	681642	8
678612	23-24	679372	14	680132	15	680892	6	681652	8
678622	23-24	679382	14	680142	15	680902	6	681662	8
678632	23-24	679392	14	680152	15	680912	6	681672	8
678642	23-24	679402	14	680162	15	680922	6	681682	8
678652	23	679412	14	680172	15	680932	6	681692	8
678662	23	679422	14	680182	15	680942	6	681702	12
678672	23	679432	14	680192	15	680952	6	681712	12
678682	23	679442	14	680202	15	680962	6	681722	12
678692	23	679452	14	680212	15	680972	6	681732	12
678702	23	679462	14	680222	15	680982	6	681742	12
678712	23	679472	14	680232	15	680992	6	681752	12
678722	23	679482	14	680242	15	681002	6	681762	12
678732	23	679492	14	680252	16	681012	6	681772	12
678742	23	679502	14	680262	16	681022	6	681782	12
678752	23	679512	14	680272	16	681032	6	681792	12
678762	23	679522	14	680282	16	681042	6	681802	34
678772	23	679532	14	680292	16	681052	6	681812	34
678782	23	679542	14	680302	16	681062	6	681822	35-36
678792	23	679552	14	680312	16	681072	6	681832	35
678802	23	679562	14	680322	16	681082	6	681842	38
678812	23	679572	14	680332	16	681092	6	681852	38
678822	23	679582	14	680342	16	681102	6	681862	31-33
678832	23	679592	14	680352	20	681112	6	681872	31-33
678842	23	679602	14	680362	20	681122	6	681882	31-33
678852	23	679612	14	680372	20	681132	6	681892	31-33
678862	23	679622	14	680382	20	681142	6	681902	31-33
678872	23	679632	14	680392	20	681152	7	681912	31-33
678882	23	679642	14	680402	20	681162	7	681922	31-33
678892	23	679652	14	680412	20	681172	7	681932	31-33
678902	23	679662	14	680422	20	681182	7	681942	15-17-23
678912	23	679672	14	680432	20	681192	7		-25-33
678922	23	679682	14	680442	20	681202	7	681952	7-9-15-17-23
678932	23	679692	14	680452	6	681212	7		25-27-29-33
678942	23	679702	14	680462	6	681222	7	681962	15-17-23
678952	24	679712	14	680472	6	681232	7		25-33
678962	24	679722	14	680482	6	681242	7	681972	7-9-15-17-23
678972	24	679732	14	680492	6	681252	7		25-27-29-33
678982	24	679742	14	680502	6	681262	7	681982	15-17-23
678992	24	679752	14	680512	6	681272	7		25-33
679002	24	679762	14	680522	6	681282	7	681992	7-9-15-17-23
679012	24	679772	14	680532	6	681292	7		25-27-29-33
679022	24	679782	14	680542	6	681302	7	682002	15-17-23
679032	24	679792	14	680552	6	681312	7		25-33
679042	24	679802	14	680562	6	681322	7	682012	7-9-15-17-23
679052	14	679812	14	680572	6	681332	7		25-27-29-33
679062	14	679822	14	680582	6	681342	7	682022	7-9-15-17-23
679072	14	679832	14	680592	6	681352	7		25-27-29
679082	14	679842	14	680602	6	681362	7	682032	7-9-15-17-23
679092	14	679852	15-16	680612	6	681372	7		25-27-29
679102	14	679862	15-16	680622	6	681382	7	682042	7-9-15-17-23
679112	14	679872	15-16	680632	6	681392	7		25-27-29
679122	14	679882	15-16	680642	6	681402	7	682052	7-9-15-17-23
679132	14	679892	15-16	680652	6	681412	7		25-27-29
679142	14	679902	15	680662	6	681422	7	682062	8
679152	14	679912	15	680672	6	681432	7	682921	24
679162	14	679922	15	680682	6	681442	7	682931	22
679172	14	679932	15	680692	6	681452	7	682941	22
679182	14	679942	15	680702	6	681462	7	683021	24
679192	14	679952	15	680712	6	681472	7	683031	22
679202	14	679962	15	680722	6	681482	7	683041	22
679212	14	679972	15	680732	6	681492	7	683921	34
679222	14	679982	15	680742	6	681502	7	683931	34
679232	14	679992	15	680752	6	681512	7	692391	23-25
679242	14	680002	15	680762	6	681522	7	692401	23-25
679252	14	680012	15	680772	6	681532	7		
679262	14	680022	15	680782	6	681542	7		
679272	14	680032	15	680792	6	681552	8		
679282	14	680042	15	680802	6	681562	8		
679292	14	680052	15	680812	6	681572	8		
679302	14	680062	15	680822	6	681582	8		
679312	14	680072	15	680832	6	681592	8		





Reproduction, even partial, of this catalogue is illegal. Rexnord Marbett is continually investigating methods of improving products and introducing new technology, we reserve the right to modify data and features shown in the catalogue. Dimensions are indicative only, for tolerances contact us.

The loads indicated in the table represent the maximum loads that can be applied at static conditions. These values result from tests and laboratory experiments done on our materials, injection molded and conditioned (40h - 23°C - 50% U.R.).

The loads values should be adequately reduced in case of : vibrations at high frequencies, live loads, high temperatures and places with high degree of humidity. For a mutual guarantee, please address to our technical or commercial departments, in order to value the characteristics according to their employment.



#### SALES OFFICES

Austria - Wien  
Denmark - Copenhagen  
France - Paris - Lyon  
Germany - Betzdorf (with distribution centre)  
- Düsseldorf - Siegen - Stuttgart  
Switzerland - Hunzenschwil  
Italy - Correggio (with distribution centre)  
Netherlands - 's-Gravenzande (with distribution centre)  
Canada - Edmonton - Montreal - Toronto - Vancouver  
United States - Atlanta (GA) - Columbus (OH)  
- Dallas (TX) - Fresno (CA) - Grafton (WI)  
Mexico - Cordoba - Guadalajara  
- Mexico City - Queretaro  
Brazil - Sao Leopoldo - Sao Paulo  
Australia - Melbourne - Sydney  
Singapore - Singapore  
China - Shanghai



#### **Rexnord Marbett s.r.l.**

Via della Costituzione, 45  
42015 Correggio (RE)  
Italy  
Phone 0522 - 639333  
Fax 0522 - 637778  
info@rexnordmarbett.it  
www.rexnordmarbett.com

#### **Rexnord FlatTop Europe b.v.**

P.O. Box 112  
2690 AC 's-Gravenzande  
The Netherlands  
Phone +31 (0) 174 - 445 111  
Fax +31 (0) 174 - 445 222  
flattopeurope@rexnord.com  
www.rexnordmcc.com